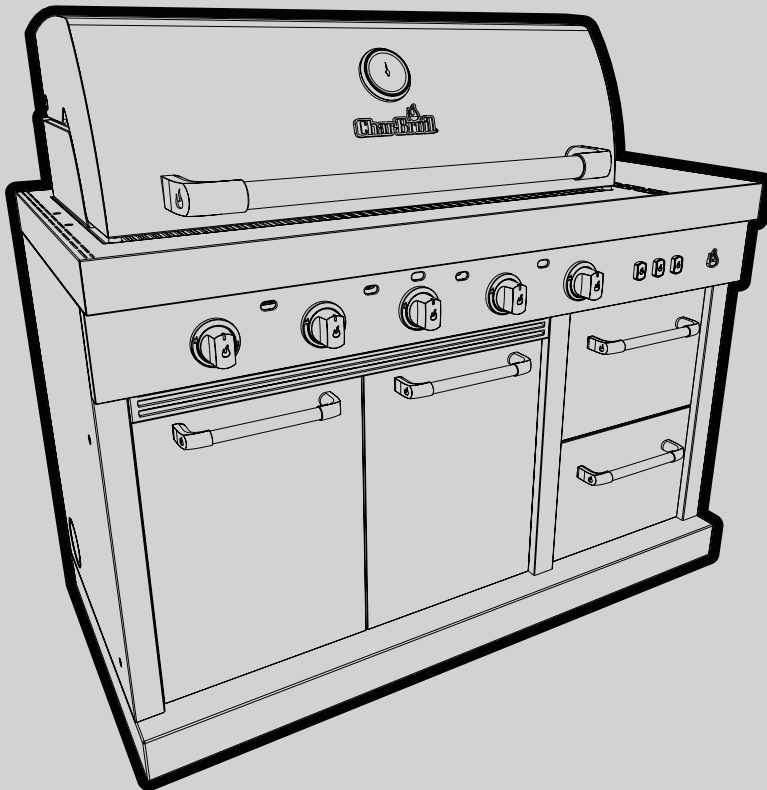




PRODUCT GUIDE
GUÍA DEL PRODUCTO

MODULAR OUTDOOR KITCHEN -
FIVE BURNER GRILL
COCINA MODULAR EXTERIOR -
CINCO PARRILLA DEL QUEMADOR



MODEL **463246118**
MODELO

SERIAL NUMBER
NÚMERO DE SERIE

- See rating label on grill for serial number.
- El número de serie se encuentra en la etiqueta de especificaciones de la parrilla.

DATE PURCHASED
FECHA DE COMPRA



Easily converts from (LP) liquid propane to (NG) natural gas
Se convierte fácilmente de propano líquido (LP) a gas natural (NG)

CONVERSION KIT | KIT DE CONVERSIÓN
#8259778



If you have questions or need assistance during assembly, please call **1-800-448-2177**
Si tiene alguna pregunta o si Necesita ayuda durante el Ensamblado, llámenos Al **1-800-448-2177**

CONTENTS

IMPORTANT SAFETY INFORMATION.....	PAGE 2
FOR YOUR SAFETY - INSTALLING YOUR GRILL.....	PAGE 3
LP GAS SAFETY AND CYLINDER CARE	PAGE 4
LEAK CHECKING YOUR GRILL	PAGE 6
FOR YOUR SAFETY - OPERATING YOUR GRILL.....	PAGE 7
FOR YOUR SAFETY - LIGHTING YOUR GRILL	PAGE 8
CARE AND MAINTENANCE OF GRILL	PAGE 9
GRILL LIGHTS - OPERATION AND BULB REPLACEMENT.....	PAGE 11
REPLACEMENT PARTS DIAGRAM	PAGE 22
REPLACEMENT PARTS LIST	PAGE 23
GRILL ASSEMBLY	PAGE 25
TROUBLESHOOTING	PAGE 35
LIMITED WARRANTY	PAGE 39
REGISTRATION CARD	PAGE 43

THIS GRILL IS FOR OUTDOOR USE ONLY

IMPORTANT SAFETY INFORMATION

SAFETY SYMBOLS

DANGER, WARNING, and CAUTION statements are used throughout this Owner's Manual to emphasize critical and important information. Read and follow these statements to help ensure safety and prevent property damage.

The statements are defined below.



CAUTION

CAUTION: Indicates a potentially hazardous situation or unsafe practice which, if not avoided, may result in minor or moderate injury.



WARNING

WARNING: Indicates a potentially hazardous situation which, if not avoided, could result in death or serious injury.



DANGER

DANGER: Indicates a imminently hazardous situation which, if not avoided, will result in death or serious injury.



DANGER

If you smell gas:

1. Shut off gas to the appliance
2. Extinguish any open flame.
3. Open lid.
4. If odor continues, keep away from the appliance and immediately call your gas supplier or your fire department.



WARNING

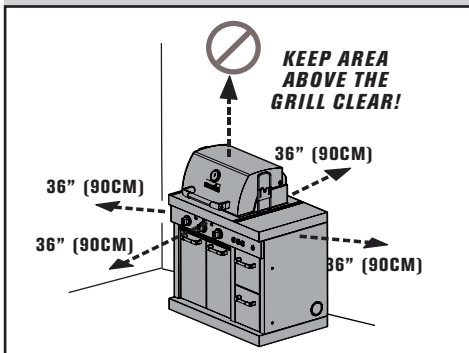
1. Do not store or use gasoline or other flammable liquids or vapors in the vicinity of this or any other appliance.
2. An LP cylinder not connected for use shall not be stored in the vicinity of this or any other appliance.

FOR YOUR SAFETY - INSTALLING YOUR GRILL



WARNING

- Keep grill area clear and free from materials that burn.
- Do not block holes in sides or back of grill.
- Use grill only in well-ventilated space.
- **NEVER** use in enclosed space such as carport, garage, porch, covered patio, or under an overhead structure of any kind.
- Apartment Dwellers: Check with management to learn the requirements and fire codes for using an LP gas grill in your apartment complex. If allowed, use outside on the ground floor with a three (3) foot clearance from walls or rails. Do not use on or under balconies.
- Maintain 10 ft. clearance to objects that can catch fire or sources of ignition such as pilot lights on water heaters, live electrical appliances, etc.
- Failure to follow all manufacturer's instructions could result in serious personal injury and/or property damage.
- This outdoor gas appliance is not intended to be installed in or on a boat or Recreational Vehicle.
- Never attempt to attach this grill to the self-contained LP gas system of a camper trailer or motor home.
- Keep ventilation openings in cylinder enclosure (grill cart) free and clear of debris.
- Use grill at least 3 feet (90 cm) from any wall or surface.



CALIFORNIA PROPOSITION 65

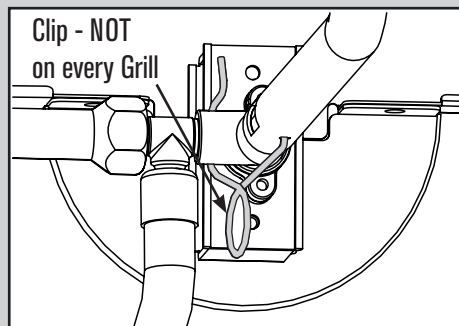
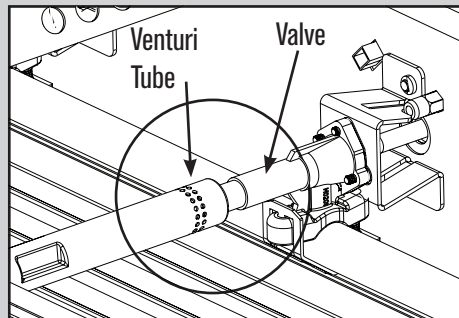
1. Combustible by-products produced when using this product contains chemicals known to the state of California to cause cancer, birth defects, or other reproductive harm.
2. This product contains chemicals, including lead and lead compounds, known to the state of California to cause cancer, birth defects or other reproductive harm.



WARNING

Wash your hands after handling this product.
Perform the following checks prior to the first use of your grill:

- Make sure valves are inside the venturi tubes of the burners as shown. If your grill was designed to have a clip, make sure the clip is in place.
- Always ensure the control knobs pop up and lock into the **OFF** position. Turn the tank valve on **PRIOR** to turning on the control knobs to avoid ignition problems and low flames.
- Perform a leak check as documented in the "Leak Checking Your Grill" section.
- Check burner tubes for spider nests per the **Care and Maintenance of your Grill** section.



CAUTION

For residential use only. Do not use for commercial cooking.

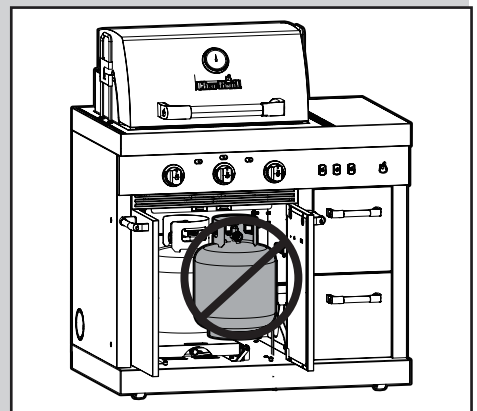
Read and follow all safety statements, assembly instructions, and use and care directions before attempting to assemble and cook.

Some parts may contain sharp edges. Wear protective gloves if necessary.



DANGER

- **NEVER** store a spare LP cylinder under or near the appliance or in an enclosed area.
- An over filled or improperly stored cylinder is a hazard due to possible gas release from the safety relief valve. This could cause an intense fire with risk of property damage, serious injury or death.
- If you see, smell or hear gas escaping, immediately get away from the LP cylinder/appliance and call your fire department.



Installation Safety Precautions

- Use grill, as purchased, only with LP (propane) gas and the regulator/valve assembly supplied. If your grill is Dual Fuel ready, a conversion kit must be purchased for use with natural gas.
- Grill installation must conform with local codes, or in their absence of local codes, with either the *National Fuel Gas Code, ANSI Z223.1/ NFPA 54, Natural Gas and Propane Installation Code, CSA B149.1, or Propane Storage and Handling Code, B149.2.*
- All electrical accessories (such as rotisserie) must be electrically grounded in accordance with local codes, or National Electrical Code, ANSI / NFPA 70 or Canadian Electrical Code, CSA C22.1. Keep any electrical cords and/or fuel supply hoses away from any hot surfaces.
- This grill is safety certified for use in the United States and/or Canada only. Do not modify for use in any other location. Modification will result in a safety hazard.

LP GAS SAFETY AND CYLINDER CARE

LP Cylinder Removal, Transport and Storage

- NEVER store a spare LP cylinder under or near the appliance or in an enclosed area.
- Turn OFF all control knobs and LP cylinder valve. Turn coupling Nut counterclockwise by hand only - do not use tools to disconnect. Loosen cylinder screw beneath bottom shelf or disconnect other retention means, then lift LP cylinder up and out of cart. Install safety cap onto LP cylinder valve. Always use cap and strap supplied with valve.

Failure to use Safety cap as directed may result in serious personal injury and/or property damage.

- A disconnected LP cylinder in storage or being transported must have a safety cap installed (as shown). Do not store an LP cylinder in enclosed spaces such as a carport, garage, porch, covered patio or other building.
- Never leave an LP cylinder inside a vehicle which may become overheated by the sun.
- Do not store an LP cylinder in an area where children play.

LP Cylinder

The LP cylinder used with your grill must meet the following requirements:

Use LP cylinders only with these required measurements:

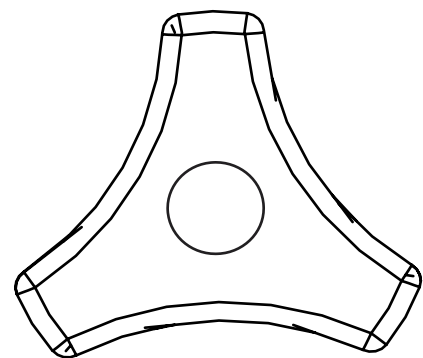
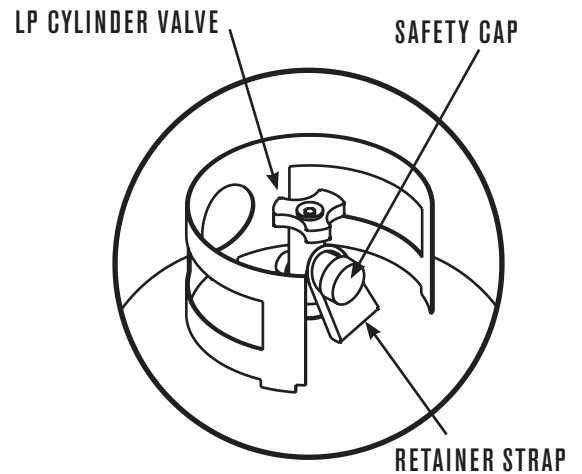
- 12" (30.5cm) (diameter) x 18" (45.7 cm) (tall) with 20 lb. (9 kg.) capacity maximum.
- LP cylinders must be constructed and marked in accordance with specifications for LP cylinders of the U.S. Department of Transportation (DOT) or for Canada, CAN/CSA-B339, cylinders, spheres and tubes for transportation of dangerous goods, Transport Canada (TC). See LP cylinder collar for marking.

LP cylinder valve must have:

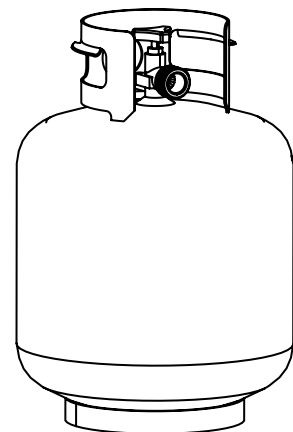
- Type 1 outlet compatible with regulator or grill.
- Safety relief valve.
- UL listed Overfill Protection Device (OPD). This OPD safety feature is identified by a unique triangular hand wheel. Use only LP cylinders equipped with this type of valve.
- LP cylinder must be upright for vapor withdrawal and include collar to protect LP cylinder valve. Always keep LP cylinders in upright position during use, transit or storage.

LP (Liquefied Petroleum Gas)

- LP gas is nontoxic, odorless and colorless when produced.
- For your safety, LP gas has been given an odor (similar to rotten cabbage) so that it can be smelled.
- LP gas is highly flammable and may ignite unexpectedly when mixed with air.



OPD Handwheel



LP Cylinder in upright position for vapor withdrawal.

LP GAS SAFETY AND CYLINDER CARE

LP Cylinder Filling

- Use only licensed and experienced dealers.
- LP dealer must purge new cylinder before filling.
- Dealer should NEVER fill LP cylinder more than 80% of LP cylinder volume. Volume of propane in cylinder will vary by temperature.
- A frosty regulator indicates gas overfill. Immediately close LP cylinder valve and call local LP gas dealer for assistance.
- Do not release liquid propane (LP) gas into the atmosphere. This is a hazardous practice.
- To remove gas from LP cylinder, contact an LP dealer or call a local fire department for assistance. Check the telephone directory under "Gas Companies" for nearest certified LP dealers.
- An overfilled or improperly stored cylinder is a hazard due to possible gas release from the safety relief valve. This could cause an intense fire with risk of property damage, serious injury or death.

LP Cylinder Exchange

- Many retailers that sell grills offer you the option of replacing your empty LP cylinder through an exchange service. Use only those reputable exchange companies that inspect, precision fill, test and certify their cylinders.
- Exchange your cylinder only for an OPD safety feature-equipped cylinder as described in the "LP Cylinder" section of this manual.
- Always keep new and exchanged LP cylinders in upright position during use, transit or storage. Leak test new and exchanged LP cylinders BEFORE connecting to grill.
- Place safety cap on cylinder valve outlet whenever the cylinder is not in use. Only install the type of safety cap on the cylinder valve outlet that is provided with the cylinder valve. Other types of caps or plugs may result in leakage of propane.

Connecting the Grill Regulator to the LP Cylinder

When LP cylinder is connected to grill, store outdoors in a well-ventilated space and out of reach of children.

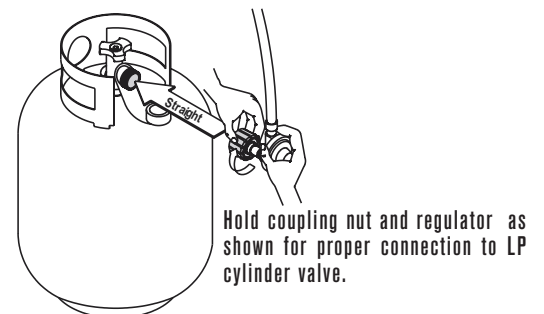
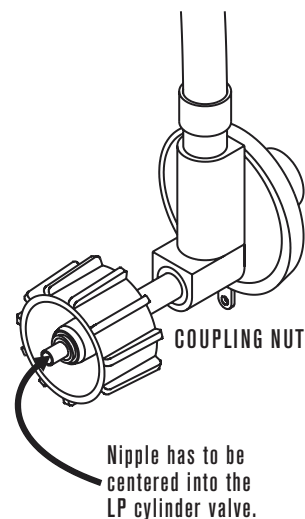
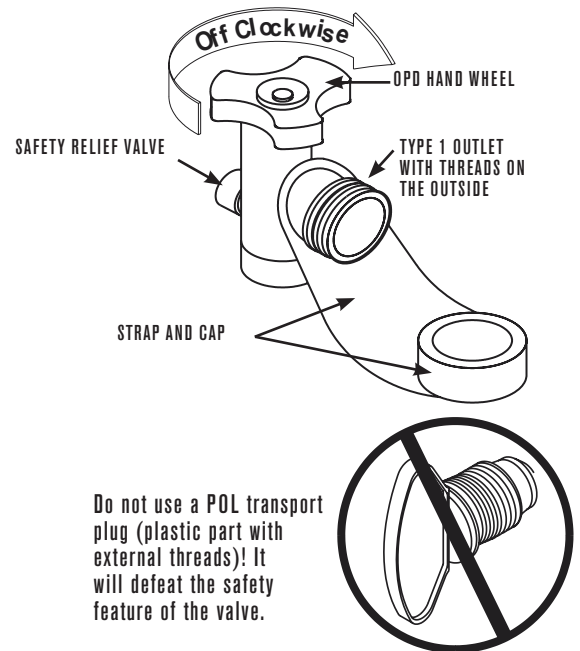
1. LP cylinder must be properly secured onto grill. (Refer to assembly section.)
2. Turn all control knobs to the **OFF** position.
3. Turn LP cylinder **OFF** by turning hand-wheel clockwise to a full stop.
4. Remove the safety cap from LP cylinder valve. Always use cap and strap if supplied with valve.
5. Hold regulator and insert nipple into LP cylinder valve. Hand-tighten the coupling nut, holding regulator in a straight line with LP cylinder valve so as not to cross-thread the connection.
6. Turn the coupling nut clockwise and tighten to a full stop. The regulator will seal on the back-check feature in the LP cylinder valve, resulting in some resistance. **An additional one-half to three-quarters turn is required to complete the connection. Tighten by hand only – do not use tools.**

NOTE: If you cannot complete the connection, disconnect regulator and repeat steps 5 and 6. If you are still unable to complete the connection, **do not use this regulator!**



DANGER

Do not insert any tool or foreign object into the valve outlet or safety relief valve. You may damage the valve and cause a leak. Leaking propane may result in explosion, fire, severe personal injury, or death.



LEAK CHECKING YOUR GRILL

LP Cylinder Leak Test

For your safety

- Leak test must be repeated each time LP cylinder is exchanged or refilled.
- Do not smoke during leak test.
- Do not use an open flame to check for gas leaks.
- Grill must be leak tested outdoors in a well-ventilated area, away from ignition sources such as gas fired or electrical appliances. During leak test, keep grill away from open flames or sparks.
- Use a clean paintbrush and a 50/50 mild soap and water solution. Brush soapy solution onto areas indicated by arrows in figure below.
- Do not use household cleaning agents. Damage to gas train components can result.

LP gas cylinder rubber seal inspection.

- Inspect the LP gas cylinder valve rubber seal for cracks, wear or deterioration prior to each use. A damaged rubber seal can cause a gas leak, possibly resulting in an explosion, fire, or severe bodily harm.
- It is recommended that you inspect the rubber seal each time the LP gas cylinder is connected to the appliance, each time it has been refilled, or if it has not been used for more than 60 days.
- **DO NOT** use an LP gas cylinder with a damaged rubber seal. The rubber seal **CANNOT** be repaired or replaced. Purchase a new cylinder or exchange the cylinder. You should inspect the seal before accepting a new or exchanged cylinder. **DO NOT** insert tools or foreign objects into the cylinder valve opening as this could damage the rubber seal.
- The leak check procedure outlined in the product guide/assembly manual **MUST** be followed each time the LP gas cylinder is connected to the appliance. Consult the product guide/assembly manual for the proper procedure and locations for leak checking.

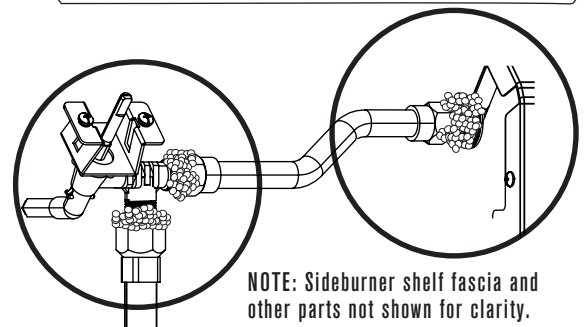
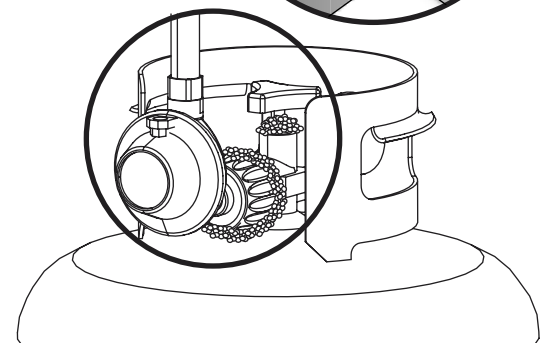
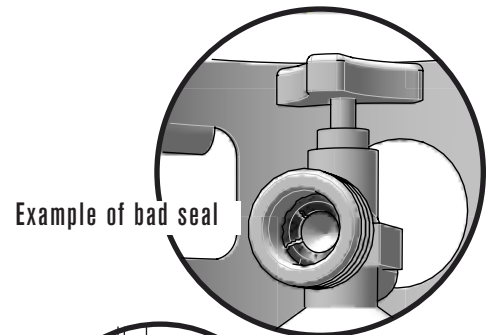
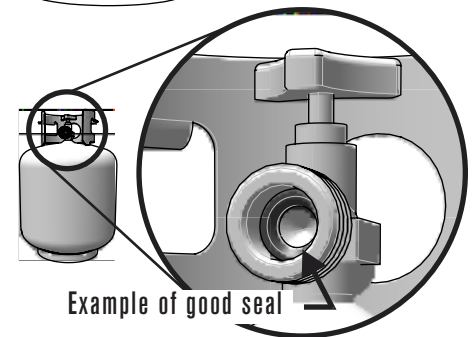
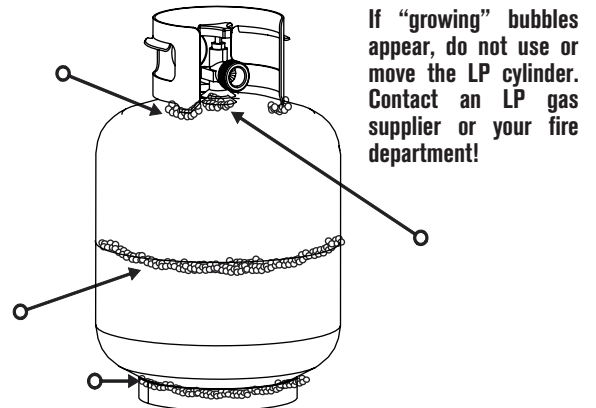
Leak Testing Valves, Hose and Regulator

- Do not use grill until leak-tested.
- If a leak is detected at any time, **STOP!** Turn off gas at source and correct leak.
- If you cannot stop a gas leak by closing the LP cylinder valve leave area and call your fire department!

Procedure:

1. Turn all grill control knobs to **OFF**.
2. Be sure regulator is tightly connected to LP cylinder.
3. Completely open LP cylinder valve by turning hand wheel counterclockwise. If you hear a rushing sound, turn gas off immediately. There is a major leak at the connection. **Correct before proceeding.**
4. Brush soapy solution onto areas circled at right, or other similar fittings on your grill.
5. If **“growing” bubbles appear, there is a leak. Close LP cylinder valve immediately and retighten connections. If leaks cannot be stopped do not try to repair. Call for replacement parts.**
6. Always close LP cylinder valve after performing leak test by turning hand wheel clockwise.

NOTE: Your grill may NOT be equipped with a sideburner.



FOR YOUR SAFETY - WHILE OPERATING YOUR GRILL



WARNING

For Safe Use of Your Grill and to Avoid Serious Injury:

- Controls and gas source or tank **OFF** when not in use.
- Do not let children operate or play near grill.
- Check burner flames regularly.
- Do not use charcoal or ceramic briquets in a gas grill.
- Do not cover grates with aluminum foil or any other material. This will block burner ventilation and create a potentially dangerous condition resulting in property damage and/or personal injury.
- **NEVER** attempt to light or re-light burner with lid closed. A buildup of non-ignited gas inside a closed grill is hazardous.
- Never operate grill with LP cylinder out of correct position specified in assembly instructions.
- Always close LP cylinder valve and remove coupling nut before moving LP cylinder from specified operation position.



DANGER

- If you see, smell or hear gas escaping, immediately get away from the LP cylinder/appliance and call your fire department.
- If during operation the flames go out (You smell gas or cannot see the flame):
 1. Turn the burner controls **OFF**.
 2. Open lid.
 3. Wait 5 minutes and repeat the lighting procedure.
- If the burner goes out, gas will continue to flow out of the burner and could accidentally ignite with risk of injury.



CAUTION

- Putting out grease fires by closing the lid is not possible. Grills are well ventilated for safety reasons.
- Do not use water on a grease fire. Personal injury may result. If a grease fire develops, turn knobs and LP cylinder off.
- Do not leave grill unattended while preheating or burning off food residue on HI. If grill has not been regularly cleaned, a grease fire can occur that may damage the product.
- The best way to prevent grease fires is regular cleaning of the grill following instructions on General Grill Cleaning and Cleaning The Burner Assembly.

Before each use of your Grill:

Checking the Fuel Gas Hose

- Before each use, check to see if hoses are cut or worn or kinked. Replace damaged hoses before using grill. Use only valve/hose/regulator specified by manufacturer.

Perform a Valve Check

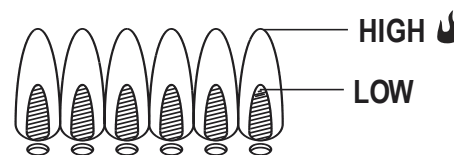
- **Important: Make sure gas is off at LP cylinder before checking valves.** Knobs lock in off position. To check valves, first push in knobs and release, knobs should spring back. If knobs do not spring back, replace valve assembly before using grill. Turn knobs to LOW position then turn back to off position. Valves should turn smoothly.

Check the Ignitor

- Turn gas off at LP cylinder. Press and hold electronic ignitor button. "Click" should be heard and spark seen each time in each collector box or between burner and electrode. See "Troubleshooting" if no click or spark.

Burner Flame Check

- Remove cooking grates and heat tents. Light burners, rotate knobs from HIGH to LOW. You should see a smaller flame in LOW position than seen on HIGH. Perform burner flame check on side burner, also. Always check flame prior to each use. If only low flame is seen refer to "Sudden drop or low flame" in the Troubleshooting Section.



Turning your Grill Off

- Turn all knobs to the **OFF** position. Turn LP cylinder off by turning hand-wheel clockwise to a full stop.

FOR YOUR SAFETY - LIGHTING YOUR GRILL

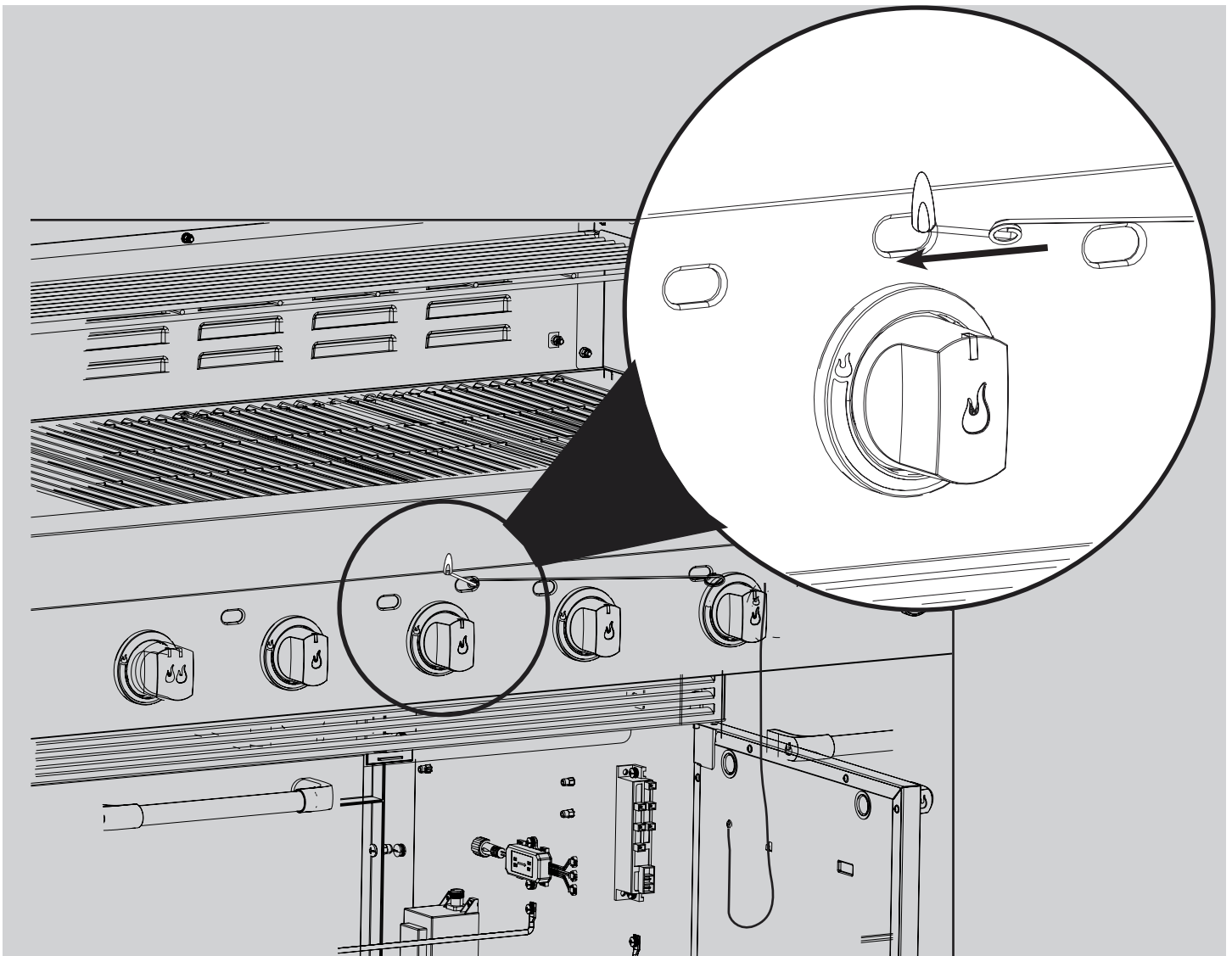
LIGHTING THE MAIN BURNERS

Main Burner Ignitor Lighting

- Do not lean over the grill while lighting.
1. Turn gas burner control valves to ○ (OFF).
 2. Open lid during lighting or re-lighting.
 3. Turn **ON** gas at LP cylinder.
 4. To ignite, push and turn burner knob to 🔥 **HIGH**. Immediately, push and hold **ELECTRONIC IGNITOR** button until the burner lights.
 5. If ignition does **NOT** occur in 5 seconds, turn the burner controls **OFF** ○, wait 5 minutes and repeat the lighting procedure.
 6. Repeat steps 4 and 5 to light other main burners.

Main Burner Match-Lighting

- Do not lean over the grill while lighting.
1. Turn gas burner control valves to ○ (OFF).
 2. Open lid during lighting or re-lighting.
 3. Turn **ON** gas at LP cylinder.
 4. Place match into match holder (hanging from side panel of grill). Light match; then light burner by placing match through the match light hole on side of grill. Immediately push in and turn burner knob to the 🔥 **HIGH** position. Be sure burner lights and stays lit.
 5. Light adjacent burners in sequence by pushing knobs in and turning to the **HIGH** position.

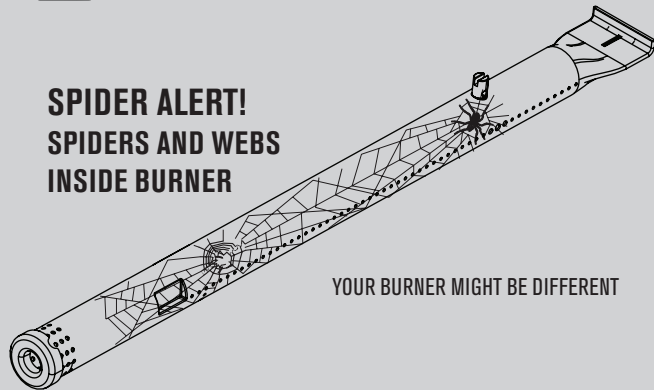


CARE AND MAINTENANCE OF YOUR GRILL



CAUTION

SPIDER ALERT! SPIDERS AND WEBS INSIDE BURNER



YOUR BURNER MIGHT BE DIFFERENT

If your grill is getting hard to light or the flame is weak, check and clean the venturis and burners.

Spiders or small insects are known to create “flashback” problems by building nests and laying eggs in the grill’s venturi or burner, obstructing the flow of gas. The back-up gas can ignite behind the control panel. This flashback can damage your grill and cause injury. To prevent flashbacks and ensure good performance the burner and venturi tube assembly should be removed and cleaned when ever the grill has been idle for an extended period of time.

Safety Tips

- Before opening LP cylinder valve, check the coupling nut for tightness.
- When grill is not in use, turn off all control knobs and LP cylinder valve.
- Never move grill while in operation or still hot.
- Some surfaces will be hot during use. Use long-handled barbecue utensils and oven mitts to avoid burns and splatters.
- The grease tray or cup must be installed during use and emptied after each use. Do not remove grease tray or cup until grill has completely cooled.
- Clean grill often, preferably after each cookout. If a bristle brush is used to clean any of the grill cooking surfaces, ensure no loose bristles remain on cooking surfaces prior to grilling. It is not recommended to clean cooking surfaces while grill is hot.
- If you notice grease or other hot material dripping from grill onto valve, hose or regulator, turn off gas supply at once. Determine the cause, correct it, then clean and inspect valve, hose and regulator before continuing. Perform a leak test.
- Do not store objects or materials inside the grill cart enclosure that would block the flow of combustion air to the underside of either the control panel or the firebox bowl.
- The regulator may make a humming or whistling noise during operation. This will not affect safety or use of grill.
- If you have a grill problem see the “Troubleshooting” Section.
- If the regulator frosts, turn off grill and LP cylinder valve immediately. This indicates a problem with the cylinder and it should not be used on any product. Return to supplier!

General Grill Cleaning

- Do not mistake brown or black accumulation of grease and smoke for paint. Interiors of gas grills are not painted at the factory (and should never be painted). Apply a strong solution of detergent and water or use a grill cleaner with scrub brush on insides of grill lid and bottom. Rinse and allow to completely air dry. Do not apply a caustic grill/oven cleaner to painted surfaces.
- **Plastic parts:** Wash with warm soapy water and wipe dry.
- Do not use citrisol, abrasive cleaners, degreasers or a concentrated grill cleaner on plastic parts. Damage to and failure of parts can result.
- **Painted surfaces:** Wash with mild detergent or non-abrasive cleaner and warm soapy water. Wipe dry with a soft non-abrasive cloth.
- **Stainless steel surfaces:** To maintain your grill’s high quality appearance, wash with mild detergent and warm soapy water and wipe dry with a soft cloth after each use. Baked-on grease deposits may require the use of an abrasive plastic cleaning pad. Use only in direction of brushed finish to avoid damage. Do not use abrasive pad on areas with graphics.
- **Cooking surfaces:** If a bristle brush is used to clean any of the grill cooking surfaces, ensure no loose bristles remain on cooking surfaces prior to grilling. It is **NOT** recommended to clean cooking surfaces while grill is hot.

Storing Your Grill

- Clean the cooking grates.
- Remove excess grease from the firebox.
- Store in dry location.
- When LP cylinder is connected to grill, store outdoors in a well-ventilated space and out of reach of children.
- Cover grill if stored outdoors. Char-Broil offers a cover custom fit to your Grill at charbroil.com.
- Store grill indoors **ONLY** if LP cylinder is turned off and disconnected, removed from grill and stored outdoors.
- When removing grill from storage, follow “Cleaning the Burner Assembly” instructions before starting grill.

CARE AND MAINTENANCE OF YOUR GRILL

Cleaning the Burner Assembly

Follow these instructions to clean and/or replace parts of burner assembly or if you have trouble igniting grill.

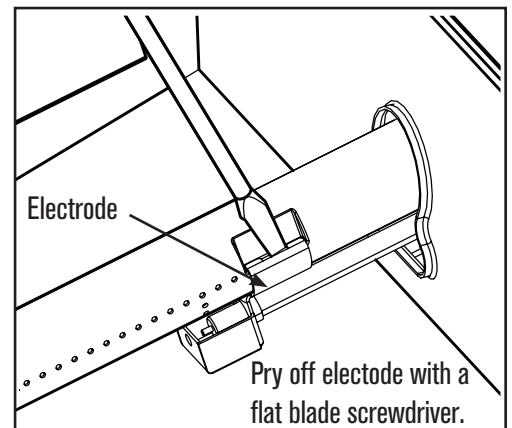
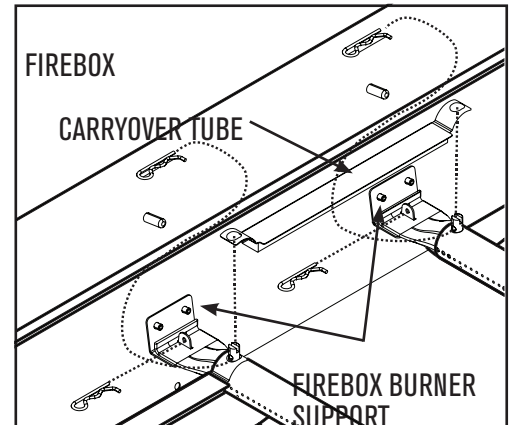
1. Turn gas off at control knobs and LP cylinder.
2. Remove cooking grates and heat tents.
3. Remove carryover tubes and hardware securing burners.
4. Detach electrode from burner.

NOTE: Removal/Detachment method will depend on the burner configuration. See different configurations in illustrations below.

5. Carefully lift each burner up and away from valve openings.

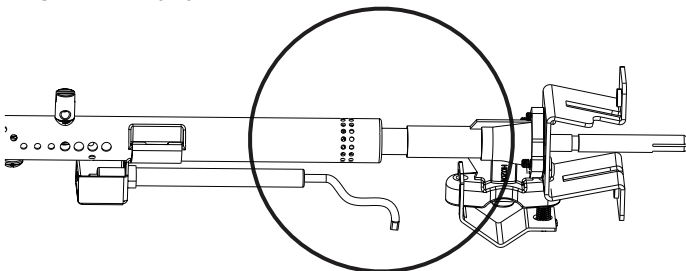
We suggest three ways to clean the burner tubes. Use the one easiest for you.

- Bend a stiff wire (a light weight coat hanger works well) into a small hook. Run the hook through each burner tube several times.
 - Use a narrow bottle brush with a flexible handle (do not use a brass wire brush). Run the brush through each burner tube several times.
 - Wear eye protection: Use an air hose to force air into the burner tube and out the burner ports. Check each port to make sure air comes out each hole.
6. Wire brush entire outer surface of burner to remove food residue and dirt.
 7. Clean any blocked ports with a stiff wire such as an open paper clip.
 8. Check burner for damage due to normal wear and corrosion, some holes may become enlarged. If any large cracks or holes are found, replace burner.
- VERY IMPORTANT: Burner tubes must re-engage valve openings. See illustration below.**
9. Attach electrode to burner.
 10. Carefully replace burners.
 11. Attach burners to brackets on firebox.
 12. Reposition carryover tubes and attach to burners. Replace heat tents and cooking grates.
 13. Before cooking again on grill, perform a "Leak Test" and "Burner Flame Check".



STEP 5: Example of a bent, stiff wire for cleaning your burner.

STEP 10: CORRECT BURNER TO VALVE ENGAGEMENT



GRILL LIGHTS - OPERATION AND BULB REPLACEMENT

Light Operation

- If your grill is hot, make sure the grill has been turned **OFF** and allowed to cool.
- Ensure the Grill Light Switch is in the **OFF** position.
- Connect the light plug to an extension cord, then put the extension cord plug into the wall receptacle.
- Turn the light switch **ON**

Bulb Replacement

- Make sure light switch on the control panel is in the **OFF** position and adapter plug is disconnected from outlet.
1. Release the screw securing the light socket.
 2. Take out the socket and remove the lens.
 3. Loosen the two screws which are locking the bulb. **NOTE:** Skip step 3 if there is no screw locking the bulb.
 4. Pull out the old bulb.
 5. Before handling the new bulb, put on a pair of cotton gloves. The oils from your hands can damage or shorten the life of your new bulb.
 6. Install the new bulb.
 7. Reverse instructions from step 3 through step 1 to re-install socket.

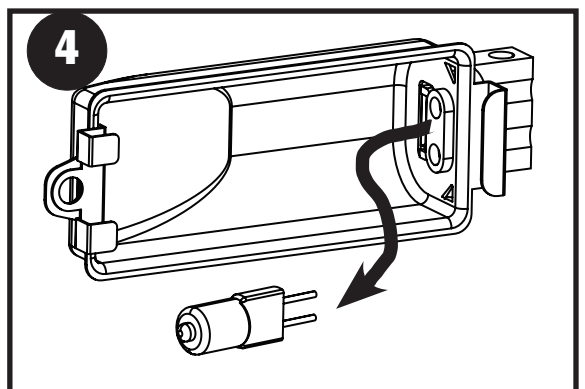
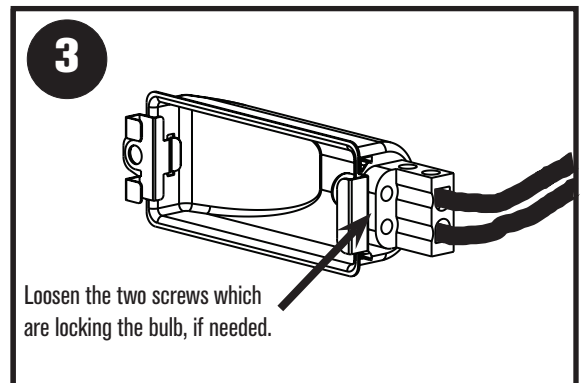
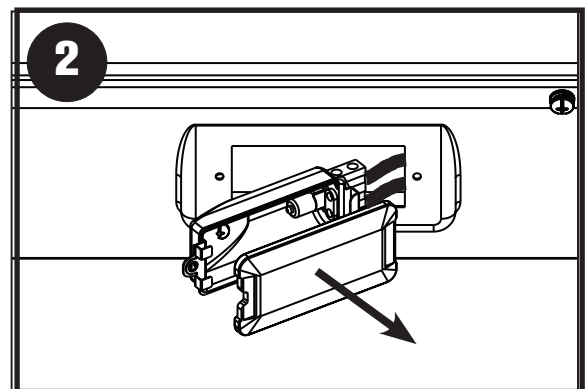
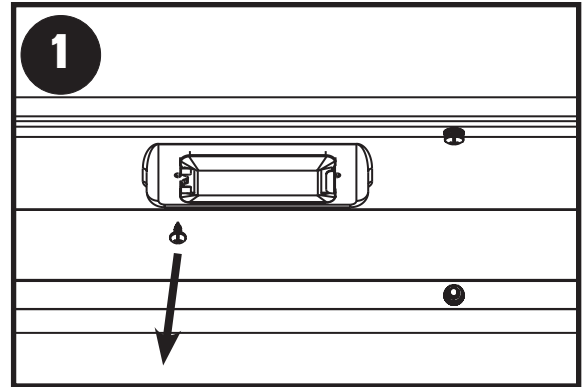
Cleaning the Lens

1. Prior to cleaning, make sure grill has been turned off, cooled, and the light switch is in the **"OFF"** position and the light plug is disconnected from the power supply.
2. Do not clean the glass lens when warm. Allow to cool before cleaning. Sudden change in temperature may cause cracking of the glass lens.
3. Use a damp towel to clean the surface of the glass lens.
4. Allow the lens to dry before reconnecting the light plug to the power supply and turning the light switch to the **"ON"** position.



WARNING

- Keep any electrical supply cord away from any heated surface.
- Use the shortest length extension cord required. Do not connect 2 or more extension cords together.
- To protect against electric shock, do not immerse cord or plugs in water or other liquid.
- Unplug from the outlet when not in use and before cleaning. Allow to cool before putting on or taking off parts.
- Do not operate grill with a damaged cord, plug, or after the appliance malfunctions or has been damaged in any manner.
- Do not let the cord hang over the edge of a table or touch hot surfaces.
- Do not use an outdoor cooking gas appliance for purposes other than intended.
- When connecting, first connect plug to the outdoor cooking gas appliance then plug appliance into the outlet.
- Use only a Ground Fault Interrupter (GFI) protected circuit with this outdoor cooking gas appliance.
- Never remove the grounding plug or use with an adapter of 2 prongs.
- Use only extension cords with a 3 prong grounding plug, rated for the power of the equipment, and approved for outdoor use with a W-A marking.



Bulb Specification

Bulb Type:	Halogen
Wattage:	10 Watts per bulb
Voltage:	12 V

ÍNDICE

IMPORTANTE INFORMACIÓN DE SEGURIDAD.....	PÁGINA 12
PARA SU SEGURIDAD - INSTALACIÓN DE SU PARRILLA...	PÁGINA 13
SEGURIDAD DEL GAS DE LP Y CUIDADO DEL CILINDRO ..	PÁGINA 14
COMPROBACIÓN DE FUGAS EN SU PARRILLA	PÁGINA 16
PARA SU SEGURIDAD - OPERACIÓN DE SU PARRILLA.....	PÁGINA 17
PARA SU SEGURIDAD - ENCENDIDO DE SU PARRILLA	PÁGINA 18
CUIDADO Y MANTENIMIENTO DE LA PARRILLA	PÁGINA 19
LUCES DE LA PARRILLA - OPERACIÓN Y REEMPLAZO DE BOMBILLA.....	PÁGINA 21
DIAGRAMA DE LAS PIEZAS DE REPUESTO.....	PÁGINA 22
LISTA DE PIEZAS DE REPUESTO	PÁGINA 24
MONTAJE DE LA PARRILLA	PÁGINA 25
RESOLUCIÓN DE PROBLEMAS	PÁGINA 37
GARANTÍA LIMITADA	PÁGINA 40
TARJETA DE REGISTRO	PÁGINA 43

ESTA PARRILLA SOLO ES PARA USO EN EXTERIORES.

INFORMACIÓN IMPORTANTES DE SEGURIDAD

SÍMBOLOS DE SEGURIDAD

Las declaraciones de PELIGRO, ADVERTENCIA y PRECAUCIÓN se usan a lo largo del Manual del Propietario para enfatizar información crítica e importante. Lea y siga estas declaraciones para ayudar a garantizar la seguridad y prevenir daños en el equipo.

Las declaraciones se definen a continuación.



PRECAUCIÓN

PRECAUCIÓN: Indica una situación potencialmente peligrosa o una práctica insegura que, si no se evita, puede dar lugar a sufrir lesiones leves o moderadas.



ADVERTENCIA

ADVERTENCIA: Indica una situación potencialmente peligrosa, la cual, si no es evitada puede resultar en la muerte o en lesiones graves.



PELIGRO

PELIGRO: Indica una situación de peligro inminente que, de no evitarse, resultará en la muerte o en lesiones graves.



PELIGRO

Si huele gas:

1. Apague la alimentación de gas del aparato.
2. Apague cualquier llama expuesta.
3. Abra la tapa.
4. Si el olor persiste, aléjese del aparato y llame inmediatamente a su proveedor de gas o su departamento de bomberos.



ADVERTENCIA

1. No almacene o use gasolina u otros vapores o líquidos inflamables cerca a este o cualquier otro aparato.
2. Los cilindros de gas de LP que no estén conectados al equipo no deben almacenarse en las proximidades de este o cualquier otro aparato.

PARA SU SEGURIDAD - INSTALACIÓN DE SU PARRILLA

 ADVERTENCIA	 ADVERTENCIA	 PELIGRO
<ul style="list-style-type: none"> Mantenga el área de la parrilla libre de materiales que ardan. No bloquee los orificios en los lados o la parte trasera de la parrilla. Utilice la parrilla solo en un espacio bien ventilado. NUNCA la use en lugares cerrados como un estacionamiento, garaje, porche, patio cubierto o bajo una estructura superior de cualquier tipo. Residentes de apartamentos: Póngase en contacto con la administración para conocer los requisitos y códigos para el uso de una parrilla a gas LP dentro de su complejo de apartamentos. Si su uso está permitido, utilícela en la planta baja con una separación de tres (3) pies respecto a paredes o barandillas. No la utilice en o debajo de balcones. Mantenga un espacio libre de 10 pies de objetos que pudieran incendiarse o fuentes de ignición como luces de piloto en calentadores de agua, artefactos eléctricos activos, etc. No seguir todas las instrucciones del fabricante podría resultar en lesiones personales graves y/o daños a la propiedad. Este aparato a gas para exteriores no está pensado para instalarse en o sobre un barco o vehículo recreacional. Nunca intente conectar esta parrilla al sistema autocontenido de gas LP de un remolque o autocaravana. Mantenga las aberturas de ventilación en el recinto del cilindro (carro de la parrilla) libres y sin residuos. Use la parrilla al menos a 3 pies (90 cm) de cualquier pared o superficie. 	<p>Lávese las manos después de manipular este producto.</p> <p>Realice las siguientes comprobaciones antes del primer uso de su parrilla:</p> <ul style="list-style-type: none"> Asegúrese de que las válvulas estén dentro de los tubos venturi de los quemadores como se muestra. Si su parrilla está diseñada para tener un sujetador, asegúrese de que el sujetador esté en su lugar. Siempre asegúrese de que las perillas de control se muevan y se bloqueen en la posición de OFF. Gire la válvula del tanque ANTES de girar las perillas de control para evitar problemas de encendido y llamas bajas. Realice una comprobación de fuga según lo documentado en la sección "Comprobación de fugas de su parrilla". Revise los tubos del quemado para detectar nidos de arañas de acuerdo con la sección Cuidado y mantenimiento de su parrilla. 	<ul style="list-style-type: none"> NUNCA almacene un cilindro de gas LP de repuesto debajo o cerca del aparato o en un área cerrada. Un cilindro llenado en exceso o incorrectamente almacenado es un peligro debido a la potencial liberación del gas desde la válvula de alivio de seguridad. Esto podría causar un fuego intenso con riesgo de daños a la propiedad, lesiones graves o la muerte. Si usted ve, huele o escucha un escape de gas, aléjese de inmediato del cilindro de gas LP/ aparato y llame a su departamento de bomberos.
 <p>¡MANTENGA LIBRE EL ÁREA ARRIBA DE LA PARRILLA!</p> <p>36" (90CM)</p> <p>36" (90CM)</p> <p>36" (90CM)</p> <p>36" (90CM)</p>	 <p>Tubo venturi</p> <p>Válvula</p>	
<p>PROPUESTA 65 DE CALIFORNIA</p> <ol style="list-style-type: none"> Los subproductos combustibles producidos a raíz de la utilización de este producto contienen químicos cuyos efectos son reconocidos por el Estado de California por causar cáncer, defectos de nacimiento u otros daños reproductivos. Este producto contiene químicos, entre los cuales se incluye plomo y compuestos de plomo, cuyos efectos son reconocidos por el Estado de California por causar cáncer, defectos de nacimiento u otros daños reproductivos. 	<p>Clip - NO disponible en todas las parrillas</p> 	<p>Instalación - Precauciones de seguridad</p> <ul style="list-style-type: none"> Use la parrilla, como la compró, solo con gas de LP (propano) y el conjunto del regulador/válvula suministrado. Si su parrilla está preparada para usar combustible dual, se debe comprar un kit de conversión para usarse con gas natural. La instalación de la parrilla debe cumplir con los códigos locales, o en su ausencia, con el <i>Código Nacional de Gas Combustible, ANSI Z223.1/ NFPA 54, Código de Instalación de Gas Natural y Propano, CSA B149.1</i>, o con el <i>Código de Almacenamiento y Manipulación de Gas Propano, B149.2</i>. Todos los accesorios eléctricos (como el asador) deben conectarse a tierra eléctricamente de acuerdo con los códigos locales, o el Código Eléctrico Nacional, ANSI / NFPA 70 o el Código Eléctrico Canadiense, CSA C22.1. Mantenga los cables eléctricos y/o las mangueras de suministro de combustible lejos de cualquier superficie caliente. Esta parrilla tiene un certificado de seguridad para su uso solo en los Estados Unidos y/o Canadá. No la modifique para su uso en ninguna otra ubicación. La modificación resultará en un riesgo de seguridad.
	 PRECAUCIÓN	
	<p>Sólo para uso residencial. No usar para cocina comercial.</p> <p>Lea y siga todas las indicaciones de seguridad, instrucciones de montaje, e indicaciones de uso y cuidado antes de intentar ensamblar y cocinar.</p> <p>Algunas piezas podrían tener bordes afilados. Utilice guantes de protección si es necesario.</p>	

SEGURIDAD DEL GAS DE LP Y CUIDADO DEL CILINDRO

Remoción, transporte y almacenamiento del cilindro de gas LP

- NUNCA almacene un cilindro de gas LP de repuesto debajo o cerca del aparato o en un área cerrada.
- Gire todas las perillas de control y la válvula de cilindro de gas LP hacia la posición OFF. Gire la tuerca de acoplamiento del regulador hacia la izquierda solo a mano. No use herramientas para la desconexión. Afloje el tornillo del cilindro por debajo del estante inferior y levante el cilindro de gas LP hacia arriba y afuera del carro. Instale la tapa de seguridad en la válvula del cilindro de gas LP. Use siempre la tapa y la tira provista con la válvula.

No usar el tapón de seguridad según las instrucciones puede resultar en lesiones personales graves y/o daños a la propiedad.

- Un cilindro de gas LP desconectado en el almacenamiento o que está siendo transportado debe tener una tapa de seguridad instalada (como se muestra). No guarde el cilindro de gas LP en lugares cerrados tales como cocheras, garajes, pórticos, patios cubiertos u otras construcciones.
- Nunca deje a un cilindro de gas LP dentro de un vehículo que pueda sobrecalentarse por la acción del sol.
- No guarde un cilindro de gas LP en una zona donde jueguen niños.

Cilindro de gas LP

El cilindro de gas LP que utilice con su parrilla debe cumplir los siguientes requisitos:

Utilice únicamente cilindros de gas LP con las siguientes medidas obligatorias:

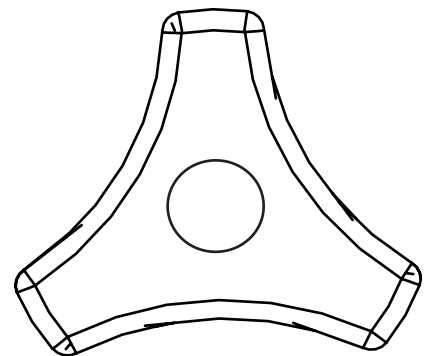
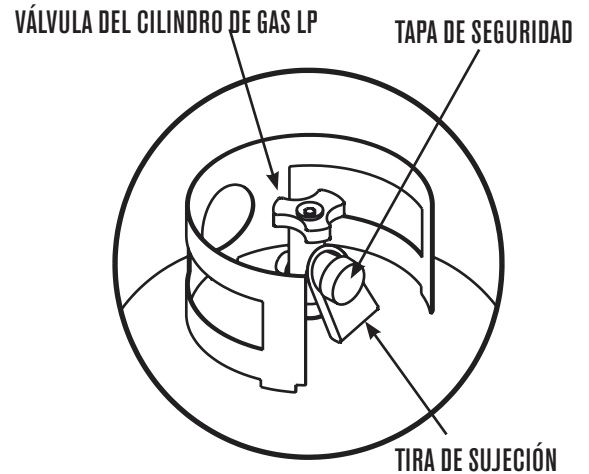
- 12" (30.5cm) (diámetro) x 18" (45.7 cm) (altura) con 20 lb. (9 kg.) de capacidad máxima.
- Los cilindros de gas LP deben construirse y marcarse de conformidad con las especificaciones para cilindros de gas LP del Departamento de Transporte (DOT) de los EE. UU. o para Canadá, CAN/CSA-B339, cilindros, esferas y tubos para el transporte de mercancías peligrosas, Transport Canada (TC). Revise el collarín del cilindro de gas LP para ver el marcado.

La válvula del cilindro de gas LP debe tener:

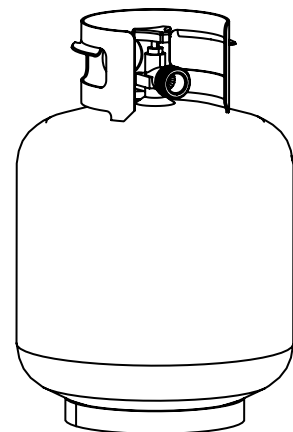
- Un escape de tipo 1 compatible con el regulador o la parrilla.
- Válvula de alivio de seguridad.
- Dispositivo de protección contra el llenado excesivo (OPD) aprobado por UL. Esta función de seguridad OPD será identificada por una distintiva manivela triangular. Use solo los cilindros de gas LP con este tipo de válvula.
- El cilindro de gas LP debe estar en posición vertical para favorecer la extracción de vapor e incluir un collarín para proteger la válvula del cilindro de gas LP. Siempre mantenga los cilindros de gas LP en posición vertical durante su uso, transporte o almacenamiento.

LP (gas licuado de petróleo)

- El Gas LP es no tóxico, inodoro e incoloro cuando se produce.
- Por su seguridad, al LP se le ha dado un olor (parecido al de la col podrida) de modo que se pueda oler.
- El gas LP es altamente inflamable y podría encenderse inesperadamente cuando se mezcla con el aire.



Manivela OPD



Cilindro de gas LP en posición vertical para la extracción de vapor.

SEGURIDAD DEL GAS DE LP Y CUIDADO DEL CILINDRO

Llenado del cilindro de gas LP

- Utilice únicamente distribuidores de gas con licencia y experiencia.
- El distribuidor de gas LP debe purgar el nuevo cilindro antes del llenado.
- El distribuidor NUNCA debe llevar el cilindro de gas LP más del 80% del volumen del cilindro. El volumen de propano en el cilindro variará con la temperatura.
- Un regulador escarchado indica que se ha llenado gas en exceso. Cierre de inmediato la válvula del cilindro de gas LP y llame al distribuidor local de gas LP para recibir asistencia.
- No libere el gas propano líquido (LP) a la atmósfera. Esta es una práctica peligrosa.
- Para extraer el gas del cilindro de gas LP, póngase en contacto con un distribuidor de gas LP o llame al departamento de bomberos local para obtener ayuda. Revise el directorio telefónico en "Compañías de gas" para contactar a los distribuidores de gas LP más cercanos.
- Un cilindro llenado en exceso o incorrectamente almacenado es un peligro debido a la potencial liberación del gas desde la válvula de alivio de seguridad. Esto podría causar un fuego intenso con riesgo de daños a la propiedad, lesiones graves o la muerte.

Cambio del cilindro de gas LP

- Muchos minoristas que venden parrillas ofrecen la opción de sustituir el cilindro de gas LP vacío mediante un servicio de intercambio. Utilice solo aquellas empresas de intercambio de buena reputación que inspeccionen, rellenen con precisión, prueben y certifiquen sus cilindros.
- Cambie su cilindro solamente en caso de ser un cilindro equipado con la función de seguridad OPD como se describe en la sección "Cilindro de gas LP" de este manual.
- Siempre mantenga los cilindros de gas LP nuevos y cambiados en posición vertical durante su uso, transporte o almacenamiento. Realice una prueba de fugas para cilindros de gas LP nuevos y cambiados ANTES de conectar la parrilla.
- Coloque la tapa de seguridad en la toma de la válvula del cilindro siempre que cilindro no esté en uso. Solo instale el tipo of tapa de seguridad en la toma de la válvula del cilindro suministrada con la válvula del cilindro. El uso de otros tipos de tapas o tapones podría resultar en una fuga de propano.

Conexión del regulador de la parrilla al cilindro de gas LP

Cuando un cilindro de gas LP está conectado a la parrilla, guárdela en exteriores en un espacio bien ventilado y fuera del alcance de los niños.

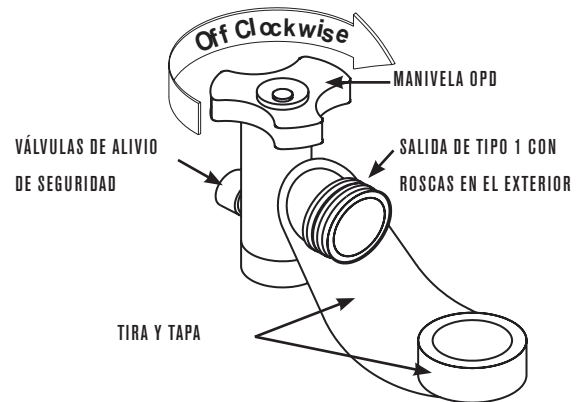
1. El cilindro de gas LP debe ser asegurado adecuadamente en la parrilla. (Consultar la sección de montaje).
2. Coloque todas las perillas de control en la posición **OFF**.
3. Coloque el cilindro de gas LP en la posición **OFF** girando la manivela hacia la derecha hasta que se detenga totalmente.
4. Retire la tapa de seguridad de la válvula del cilindro de gas LP. Use siempre la tapa y la tira si están provistas con la válvula.
5. Sujete el regulador e inserte la boquilla en la válvula del cilindro de gas LP. Apriete la tuerca de acoplamiento, sosteniendo el regulador en línea recta con la válvula del cilindro de gas LP para que no se cruce la conexión.
6. Gire la tuerca de acoplamiento en sentido horario y apriete hasta que se detenga totalmente. El regulador se sellará con la función de contra retención en la válvula del cilindro de gas LP, que crea una resistencia. **Se requiere un medio giro adicional al tres cuartos de giro para completar la conexión. Apriete a mano solamente – no use herramientas.**

NOTA: Si no puede completar la conexión, desconecte el regulador y repita los pasos 5 y 6. Si todavía no puede completar la conexión, **no utilice este regulador!**

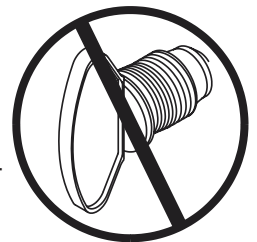


PELIGRO

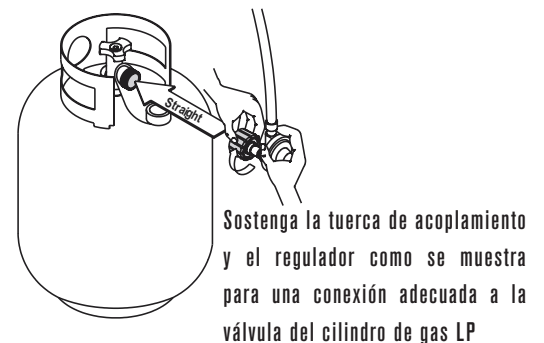
No inserte ninguna herramienta u objeto extraño en la válvula de alivio de seguridad o en la salida de la válvula. Puede dañar la válvula y causar fugas. Las fugas de propano pueden resultar en explosiones, incendios, lesiones personales graves o la muerte.



¡No utilice una tapa de transporte tipo POL (pieza de plástico con roscas externas)! Dañará el dispositivo de seguridad de la válvula.



La boquilla debe estar centrada en la válvula del cilindro de gas LP



Sostenga la tuerca de acoplamiento y el regulador como se muestra para una conexión adecuada a la válvula del cilindro de gas LP

COMPROBACIÓN DE FUGAS EN SU PARRILLA

Prueba de fugas del cilindro de gas LP

Para su seguridad

- La prueba de fugas debe repetirse cada vez que se vuelva a llenar o se intercambie el cilindro de gas LP.
- No fume durante la prueba de fugas.
- Nunca utilice una llama expuesta para comprobar que no existan fugas de gas.
- La prueba de fugas de la parrilla debe realizarse al aire libre, en un área bien ventilada, lejos de fuentes de ignición tales como gases encendidos o aparatos eléctricos. Durante la prueba de fugas, mantenga la parrilla lejos de llamas expuestas o chispas.
- Utilice un pincel limpio y una solución 50/50 de agua y jabón neutro. Aplique la solución jabonosa con el pincel en las zonas indicadas por las flechas en la figura a continuación.
- No utilice agentes de limpieza doméstica. Pueden causar daños a los componentes del tren de gas.

Inspección del sello de goma del cilindro de gas LP.

- Inspeccione el sello de goma de la válvula del cilindro de gas LP para detectar grietas, desgaste o deterioro antes de cada uso. Un sello de goma dañado puede causar una fuga de gas, lo que posiblemente puede resultar en una explosión, incendio o lesiones corporales graves.
- Se recomienda que inspeccione el sello de goma cada vez que se conecte el cilindro de gas LP al dispositivo, cada vez que se rellene, o si no ha sido utilizado en más de 60 días.
- NO** utilice un cilindro de gas LP con un sello de goma dañado. El sello de goma **NO PUEDE** ser reparado o reemplazado. Compre un cilindro nuevo o cámbielo. Debe inspeccionar el sello antes de aceptar un cilindro nuevo o cambiado. **NO** inserte herramientas u objetos extraños en la abertura de la válvula del cilindro ya que podría dañar el sello de goma.
- El procedimiento de comprobación de fugas descrito en el manual de ensamblaje/guía del producto **DEBE** seguirse cada vez que el cilindro de gas LP se conecta al aparato. Consulte el manual de ensamblaje/guía del producto para ver el procedimiento y las ubicaciones correctas para la comprobación de fugas.

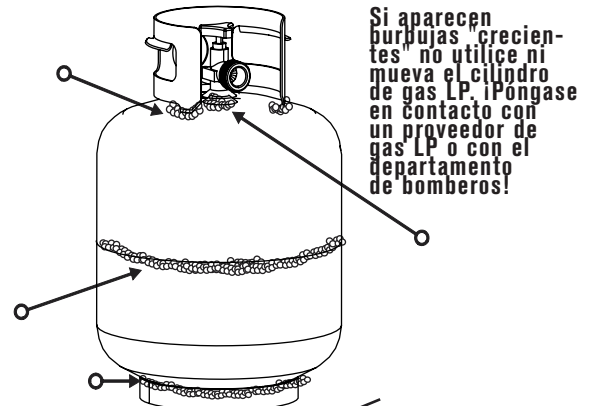
Prueba de fugas de las válvulas, manguera y regulador

- No utilice la parrilla hasta que haya sido probada para descartar fugas.
- Si en cualquier momento detecta una fuga, **¡PARE!** Cierre el gas en el origen y corrija la fuga.
- Si no puede detener una fuga de gas cerrando la válvula del cilindro de gas LP, deje el área y llame a su departamento de bomberos.

Procedimiento:

- Coloque todas las perillas de control en la posición \odot OFF.**
- Asegúrese de que el regulador esté conectado firmemente al cilindro de gas LP.
- Abra completamente la válvula del cilindro de gas LP girando la manivela hacia la izquierda. Si oye un sonido de ráfaga, cierre el gas inmediatamente. Hay una fuga importante en la conexión. **Corrija antes de continuar.**
- Aplique solución jabonosa en las áreas dentro de los círculos a la derecha o en otras conexiones similares en su parrilla.
- Si aparecen burbujas que "aumentan" de tamaño, existe una fuga. Cierre la válvula del cilindro de gas LP inmediatamente y vuelva a apretar las conexiones. Si no se pueden detener las fugas, no intente repararlas. Llame para obtener piezas de repuesto.**
- Siempre cierre la válvula del cilindro de gas LP después de realizar la prueba de fugas girando la manivela en sentido horario.

NOTA: La parrilla podría **NO** estar equipada con un quemador lateral.



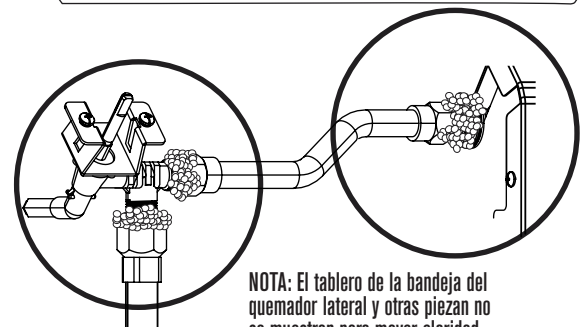
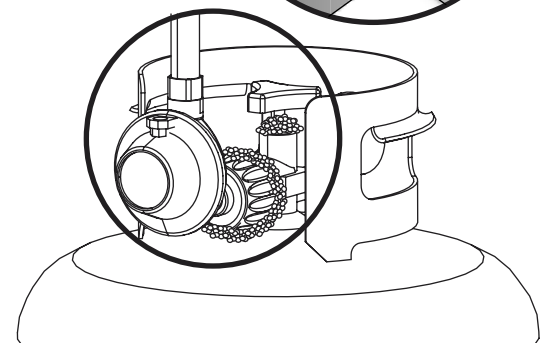
Si aparecen burbujas "crecientes" no utilice ni mueva el cilindro de gas LP. ¡Póngase en contacto con un proveedor de gas LP o con el departamento de bomberos!



Ejemplo de sello de goma bueno.



Ejemplo de un sello malo



NOTA: El tablero de la bandeja del quemador lateral y otras piezas no se muestran para mayor claridad.

PARA SU SEGURIDAD - OPERACIÓN DE SU PARRILLA



ADVERTENCIA

Para el uso seguro de su parrilla y para evitar lesiones serias:

- Coloque los controles y la fuente o el tanque de gas en la posición **OFF** cuando no use el artefacto.
- No deje que los niños operen o jueguen cerca de la parrilla.
- Verifique las llamas del quemador con regularidad.
- No use carbón o briquetas de cerámica en una parrilla de gas.
- No cubra las rejillas con papel aluminio o ningún otro material. Esto bloqueará la ventilación del quemador y creará una condición potencialmente peligrosa, la que podría dar como resultado daños a la propiedad y/o lesiones personales.
- **NUNCA** intente encender o volver a encender el quemador con la tapa cerrada. Una acumulación de gas sin arder dentro de una parrilla cerrada es peligrosa.
- Nunca opere la parrilla con el cilindro de gas LP fuera de la posición especificada en las instrucciones de montaje.
- Siempre cierre la válvula del cilindro de gas LP y retire la tuerca de acoplamiento Antes de mover el cilindro de gas LP de la posición de operación especificada.



PELIGRO

- Si usted ve, huele o escucha un escape de gas, aléjese de inmediato del cilindro de gas LP/aparato y llame a su departamento de bomberos.
- Si durante la operación las llamas se apagan (usted huele a gas o no puede ver la llama):
 1. Gire los controles del quemador hacia la posición **OFF**.
 2. Abra la tapa.
 3. Espere 5 minutos y repita el procedimiento de encendido.
- Si el quemador no se enciende, el gas seguirá fluyendo fuera del quemador y podría encenderse accidentalmente con riesgo de provocar lesiones.



PRECAUCIÓN

- No es posible apagar incendios producidos por grasa cerrando la tapa. Las parrillas están bien ventiladas por motivos de seguridad.
- No use agua en un incendio producido por grasa. Podría causar lesiones personales. Si se genera un incendio producido por la grasa, gire las perillas y el cilindro de gas LP a la posición de apagado (off).
- No deje la parrilla desatendida mientras precalienta o quema residuos de comida en la posición HI (llama alta). Si la parrilla no se ha limpiado regularmente, puede generarse un incendio producido por la grasa que podría dañar el producto.
- La mejor manera de prevenir los incendios producidos por la grasa es la limpieza regular de la parrilla siguiendo las instrucciones de limpieza general del equipo y de limpieza del conjunto del quemador.

Antes de cada uso de su parrilla:

Comprobación de la manguera de gas combustible

- Antes de cada uso, revise para ver si las mangueras están cortadas, desgastadas o dobladas. Reemplace las mangueras dañadas antes de usar la parrilla. Utilice sólo la válvula/regulador/manguera especificado por el fabricante.

Realizar una comprobación de la válvula

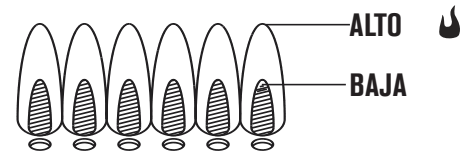
- **Importante: Asegúrese de que el gas esté apagado en el cilindro de gas LP antes de comprobar las válvulas.** Las perillas se bloquean en la posición de apagado (off). Para comprobar las válvulas, primero empuje las perillas y suéltelas, las perillas deben regresar a su lugar. Si las perillas no regresan a su lugar, reemplace el conjunto de la válvula antes de usar la parrilla. Gire las perillas a la posición BAJA (llama baja) y luego regréselas a la posición de apagado (off). Las válvulas deben girar sin problemas.

Comprobación del encendedor

- Apague el gas del cilindro de gas LP. Presione y mantenga presionado el botón del encendedor electrónico. Se debería escuchar un "clic" y verse una chispa cada vez en cada caja del colector, o entre el electrodo y el quemador. Consulte "Resolución de problemas" si no hay ningún clic o chispa.

Comprobación de la llama del quemador

- Retire las rejillas de cocción y las barras de sabor. Encienda los quemadores, gire las perillas de ALTO a BAJA. Deberá ver una llama más pequeña en la posición BAJA que la que se ve en ALTO. También realice una verificación de la llama del quemador lateral. Siempre revise la llama antes de cada uso. Si sólo se ve una llama baja consulte "Caída repentina de la llama o llama baja" en la sección Resolución de problemas.



Apagado de su parrilla

- Coloque todas las perillas en la posición **OFF**. Coloque el cilindro de gas LP en la posición de apagado (off) girando la manivela hacia la derecha hasta que se detenga totalmente.

PARA SU SEGURIDAD - ENCENDIDO DE SU PARRILLA

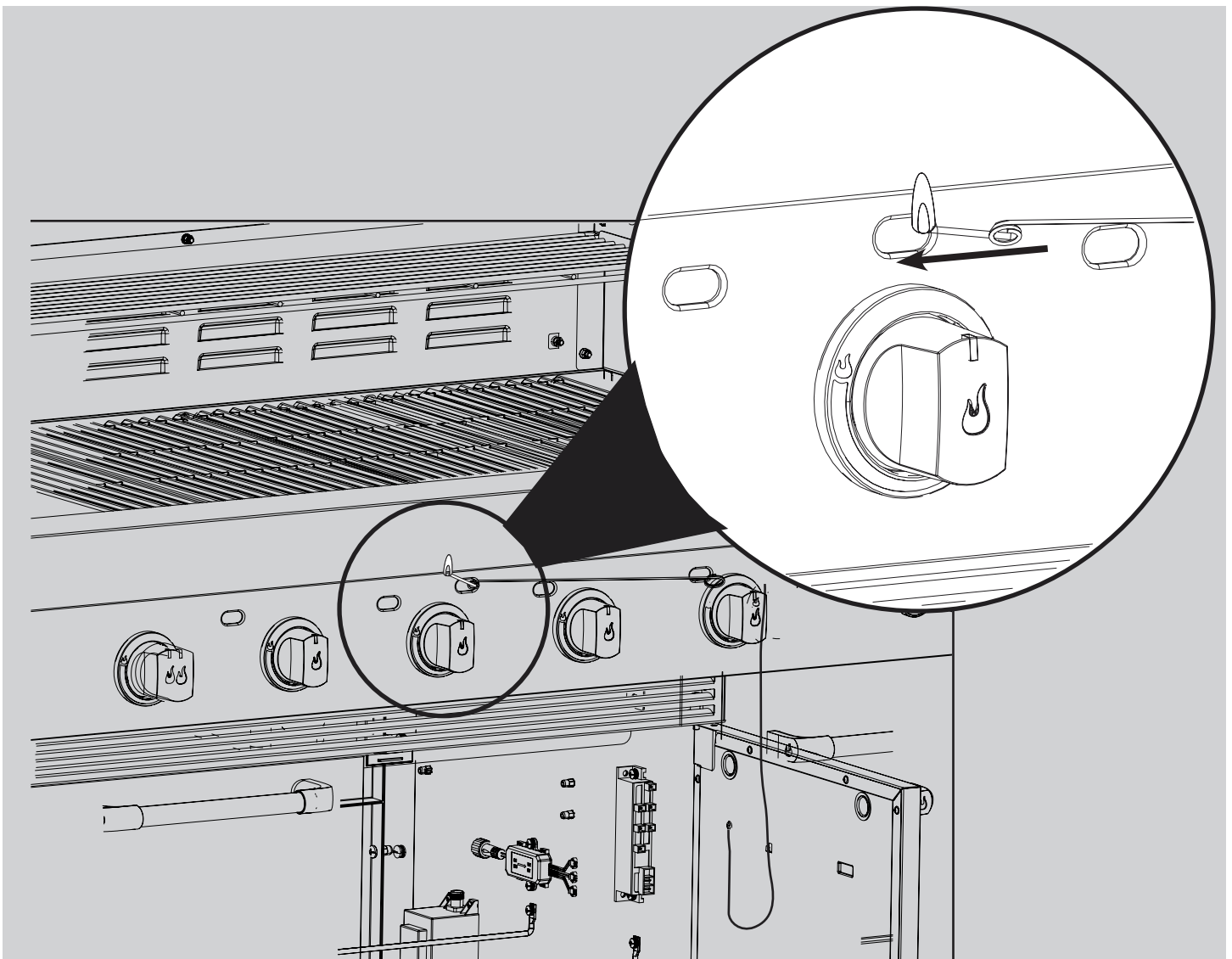
ENCENDIDO DE LOS QUEMADORES PRINCIPALES

Encendido del encendedor del quemador principal

- No se incline sobre la parrilla cuando la esté encendiendo.
1. Gire las válvulas de control del quemador de gas hacia la posición de **OFF**.
 2. Abra la tapa durante el encendido o el reencendido.
 3. Abra el gas del cilindro de gas LP para que esté en la posición de **ON**.
 4. Para encender el aparato, presione y gire la perilla del **QUEMADOR DE ENCENDIDO** a la posición **ALTO**. Inmediatamente, presione y mantenga presionado botón de **ENCENDIDO ELECTRÓNICO** hasta que se encienda el quemador.
 5. Si **NO** se produce un encendido en 5 segundos, gire la perilla de control a la posición de apagado **OFF**, espere 5 minutos y repita el procedimiento de encendido.
 6. Repita los pasos 4 y 5 para encender los otros quemadores principales.

Encendido con fósforo del quemador principal

- No se incline sobre la parrilla cuando la esté encendiendo.
1. Gire las válvulas de control del quemador de gas hacia la dirección **OFF**.
 2. Abra la tapa durante el encendido o el reencendido.
 3. Encienda el gas del cilindro de gas LP.
 4. Coloque el fósforo en el portafósforos (colgante en el panel lateral de la parrilla). Encienda el fósforo; luego encienda el quemador colocando el fósforo a través del orificio de encendido con fósforo en el costado de la parrilla. Inmediatamente, presione y gire la perilla del quemador a la posición **ALTO**. Asegúrese que el quemador se encienda y permanezca encendido.
 5. Encienda los quemadores advacentes en secuencia presionando las perillas y girándolas hacia la posición **ALTO**.



CUIDADO Y MANTENIMIENTO DE LA PARRILLA



PRECAUCIÓN

¡ALERTA DE ARAÑAS! ARAÑAS Y TELARAÑAS DENTRO DEL QUEMADOR



SU QUEMADOR PODRÍA SER DIFERENTE

Si se está volviendo difícil que se encienda el fuego de su parrilla o la llama es débil, revise y limpie los venturi y los quemadores. Las arañas o insectos pequeños crean problemas de "pequeñas explosiones" construyendo nidos y depositando huevos en el venturi o quemador de la parrilla, obstruyendo el flujo de gas. El gas obstruido podría encenderse detrás del panel de control. Estas explosiones pueden dañar su parrilla y causar lesiones. Para evitarlas y asegurar un buen rendimiento, el conjunto del quemador y el tubo venturi debe retirarse y limpiarse cuando la parrilla haya estado inactiva por un largo período de tiempo.

Limpieza general de la parrilla

- No confunda la acumulación de grasa marrón o negra, ni el humo con pintura. Los interiores de las parrillas a gas no están pintadas de fábrica (y nunca deben pintarse). Aplique una fuerte solución de agua y detergente o utilice un limpiador de parrillas con un cepillo para fregar en el interior de la tapa y la parte inferior de la parrilla. Enjuague y deje que se seque completamente al aire. No aplique un limpiador cáustico para hornos/parrillas sobre superficies pintadas.
- **Piezas de plástico:** Lávelas con agua jabonosa caliente y séquelas.
- No utilice citrisol, limpiadores abrasivos, desengrasadores o un limpiador concentrado para parrillas en las piezas de plástico. Podrían ocasionar daños y fallas en las piezas.
- **Superficies pintadas:** Lave con detergente suave o limpiador no abrasivo y agua jabonosa tibia. Limpie con un paño suave no abrasivo hasta que se seque.
- **Superficies de acero inoxidable:** Para mantener la apariencia de alta calidad de su parrilla, lávela con detergente suave y agua jabonosa tibia, y séquela con un paño suave después de cada uso. Los depósitos de grasa cocinada podrían requerir el uso de un paño abrasivo plástico de limpieza. Utilice solamente en la dirección del cepillado para evitar daños. No use paños abrasivos en zonas con imágenes.
- **Superficies de cocción:** Si usa un cepillo con cerdas para limpiar cualquiera de las superficies de cocción de la parrilla, asegúrese que no queden cerdas sueltas en las superficies de cocción antes de cocinar. **NO** se recomienda limpiar las superficies de cocción cuando la parrilla esté caliente.

Consejos de seguridad

- Antes de abrir la válvula de cilindro de gas LP, compruebe el ajuste de la tuerca de acoplamiento.
- Cuando la parrilla no esté en uso, gire todas las perillas de control y la válvula de cilindro de gas LP hacia la posición de apagado (off).
- Nunca mueva la parrilla mientras está en funcionamiento o todavía caliente.
- Algunas superficies estarán calientes durante el uso. Use utensilios largos para parrillas y guantes para hornos a fin de evitar quemaduras y salpicaduras.
- La bandeja o recipiente de grasa debe instalarse durante el uso y vaciarse después de cada uso. No retire la bandeja o recipiente para grasa hasta que la parrilla se haya enfriado por completo.
- Limpie la parrilla con frecuencia, de preferencia después de cada uso. Si usa un cepillo con cerdas para limpiar cualquiera de las superficies de cocción de la parrilla, asegúrese que no queden cerdas sueltas en las superficies de cocción antes de cocinar. No se recomienda limpiar las superficies de cocción cuando la parrilla esté caliente.
- Si nota que hay grasa u otro material goteando de la parrilla hacia la válvula, manguera o regulador, cierre el suministro de gas de inmediato. Determine la causa, corríjala, a continuación limpie e inspeccione la válvula, manguera o regulador antes de continuar. Realice una comprobación de fugas.
- No almacene objetos o materiales dentro de la caja del carro de la parrilla ya que ello bloquearía el flujo de aire de combustión hacia la parte inferior del panel de control o de la caja de la cámara de combustión.
- El regulador podría emitir un zumbido o silbido durante el funcionamiento. Esto no afectará la seguridad o el uso de la parrilla.
- Si tiene un problema con la parrilla consulte la sección "Resolución de problemas".
- Si el regulador se escarcha, apague la parrilla y cierre el cilindro de gas LP de inmediato. Esto indica un problema con el cilindro y no debería ser utilizado en ningún producto. ¡Devuélvalo al proveedor!

Almacenamiento de su parrilla

- Limpie las parrillas de cocción.
- Elimine el exceso de grasa de la cámara de combustión.
- Guárdela en un lugar seco.
- Cuando un cilindro de gas LP está conectado a la parrilla, guárdela en exteriores en un espacio bien ventilado y fuera del alcance de los niños.
- Cubra la parrilla si se guarda en exteriores. Char-Broil ofrece una cubierta personalizada para su parrilla en charbroil.com.
- Guarde la parrilla en interiores SÓLO si el cilindro de gas LP está apagado y desconectado, fuera de la parrilla y almacenado en exteriores.
- Cuando retire la parrilla del almacenamiento, siga las instrucciones de "Limpieza del conjunto del quemador» antes de encender la parrilla.

CUIDADO Y MANTENIMIENTO DE LA PARRILLA

Limpieza del conjunto del quemador

Siga estas instrucciones para limpiar y/o reemplazar partes del conjunto del quemador o si tiene problemas para encender la parrilla.

1. Coloque todas las perillas de control y el cilindro de gas LP en la posición de off.
2. Retire las rejillas de cocción y las barras de sabor.
3. Retire los tubos de arrastre y la tornillería que asegura los quemadores.
4. Desconecte el electrodo del quemador.

NOTA: El método de retiro/desconexión dependerá de la configuración del quemador. Vea diferentes configuraciones en la ilustración a continuación.

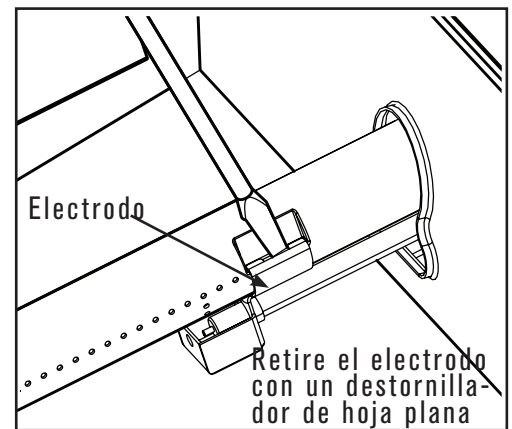
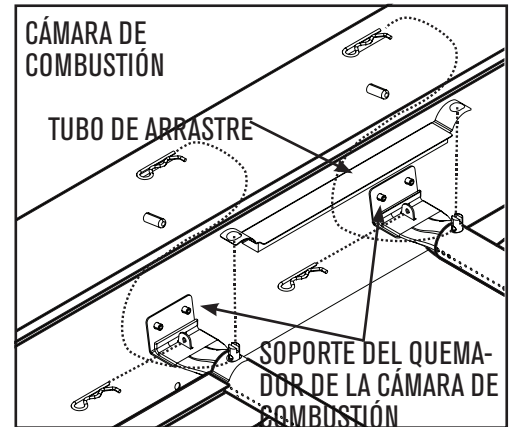
5. Levante cuidadosamente cada quemador y retírelos de las aberturas de la válvula.

Sugerimos tres maneras para limpiar los tubos del quemador. Use lo que sea más fácil para usted.

- Doble un alambre rígido (una percha ligera funciona bien) para formar un pequeño gancho. Pase el gancho a través de cada tubo del quemador varias veces.
 - Utilice un cepillo angosto para botellas con mango flexible (no utilice un cepillo de alambre de latón). Pase el cepillo a través de cada tubo del quemador varias veces.
 - Utilice protección para los ojos: Utilice una manguera de aire para forzar aire dentro del tubo del quemador y hacia fuera de los puertos del quemador. Revise cada puerto para asegurarse de que el aire salga de cada orificio.
6. Pase el cepillo de alambre por toda la superficie externa del quemador para eliminar la suciedad y los residuos de comida.
 7. Limpie los puertos bloqueados con un alambre rígido como un clip abierto.
 8. Verifique si el quemador presenta daños; debido al desgaste normal y la corrosión, algunos hoyos pueden haberse agrandado. Si hay fisuras u hoyos grandes, reemplace el quemador.

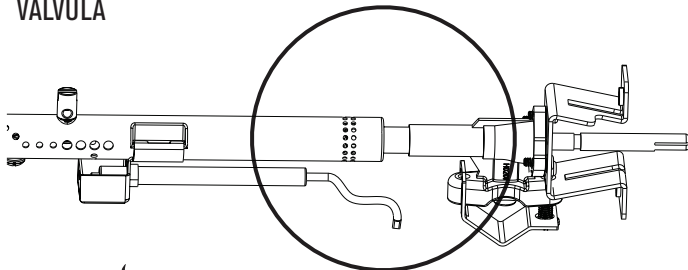
MUY IMPORTANTE: Los tubos del quemador deben volverse a conectar a las aberturas de la válvula. Vea la ilustración a continuación.

9. Conecte el electrodo al quemador.
10. Reinstale cuidadosamente las hornillas.
11. Coloque los quemadores en los soportes de la cámara de combustión.
12. Vuelva a colocar los tubos de arrastre y conéctelos a los quemadores. Reinstale las barras de sabor y las parrillas de cocción.
13. Antes de volver a cocinar en la parrilla, realice una "Prueba de fugas" y una "Comprobación de la llama del quemador".



PASO 5: Ejemplo de cable recto doblado para limpiar su quemador.

PASO 10: CONEXIÓN CORRECTA DEL QUEMADOR A LA VÁLVULA



LUCES DE LA PARRILLA - OPERACIÓN Y REEMPLAZO DE LA BOMBILLA

Operación de las luces

- Si su parrilla está caliente, asegúrese de que la parrilla se haya apagado (**OFF**) y deje que se enfríe.
- Asegúrese de que el interruptor de la luz de la parrilla estén la posición de **OFF**.
- Conecte el enchufe de la luz a una extensión, y luego coloque el enchufe de la extensión en el receptáculo de la pared.
- Encienda el interruptor de luz (**ON**)

Reemplazo de la bombilla

- Asegúrese de que el interruptor de la luz del panel de control estén en la posición de **OFF** y que el adaptador del enchufe esté desconectado de la toma.
1. Suelte el tornillo que asegura el enchufe de la luz.
 2. Retire el enchufe y extraiga la lente.
 3. Afloje los dos tornillos que están bloqueando la bombilla. **NOTA:** Omite el paso 3 si no hay un tornillo que sujete la bombilla.
 4. Extraiga la bombilla antigua.
 5. Antes de manipular la nueva bombilla, colóquese un par de guantes de algodón. Los aceites de sus manos pueden dañar o acortar la vida útil de su nueva bombilla.
 6. Instale la nueva bombilla.
 7. Siga las instrucciones a la inversa desde el paso 3 al paso 1 para reinstalar el enchufe.

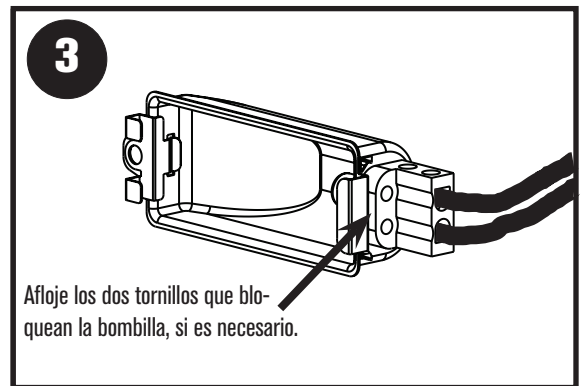
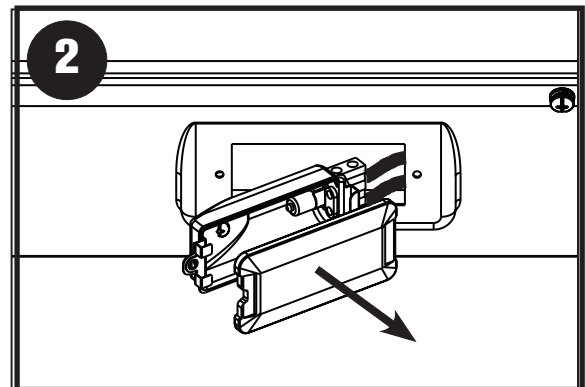
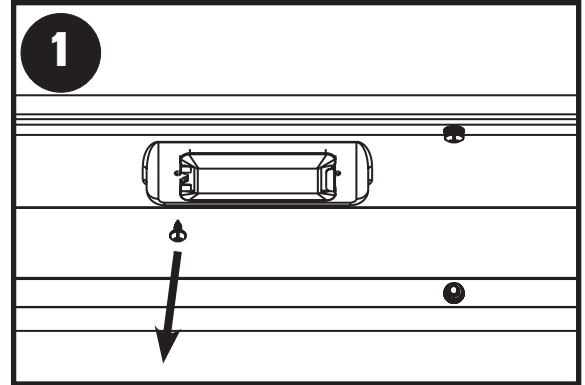
Limpeza de la lente

1. Antes de la limpieza, asegúrese de que la parrilla esté apagada, enfriada y que el interruptor de la luz esté en la posición "**OFF**" y que el enchufe de la luz esté desconectado del suministro de energía.
2. No limpie el vidrio de la lente cuando esté caliente. Deje que se enfríe antes de limpiar. Un cambio súbito en la temperatura podría provocar que el vidrio de la lente se agriete.
3. Use una toalla húmeda para limpiar la superficie del vidrio de la lente.
4. Deje que la lente se seque antes de reconectar el enchufe de la luz al suministro de energía y gire el interruptor de luz a la posición "**ON**".

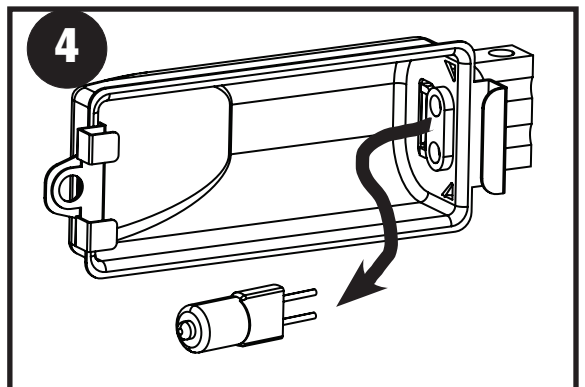


ADVERTENCIA

- Mantenga cualquier cable de alimentación eléctrica lejos de cualquier superficie calentada.
- Utilice el cable de extensión de la longitud más corta requerida. No conecte 2 o más cables de extensión juntas.
- Para protegerse contra los choques eléctricos, no sumerja los cables o enchufes en el agua o ningún otro líquido.
- Desenchufe de la toma cuando no lo use y antes de la limpieza. Deje que se enfríe antes de colocar o quitar piezas.
- No opere la parrilla con un cable o enchufe dañado, o después de que el dispositivo funcione mal o se haya dañado de alguna manera.
- No deje que el cable cuelgue del borde de una tabla o toque superficies calientes.
- No use un aparato de gas para cocinar en exteriores para fines distintos de los pretendidos.
- Cuando conecte, conecte primero el enchufe al aparato para cocinar en exteriores y luego conecte el aparato a la toma de corriente.
- Use solo un circuito protegido con interruptor de falla a tierra (GFI) con este aparato a gas para cocinar en exteriores.
- Nunca retire la clavija de conexión a tierra o use el aparato con un adaptador de 2 clavijas.
- Utilice solo cables de extensión con un enchufe de conexión a tierra de 3 clavijas, calificado para la potencia del equipo y aprobado para su uso en exterior con marca W-A.



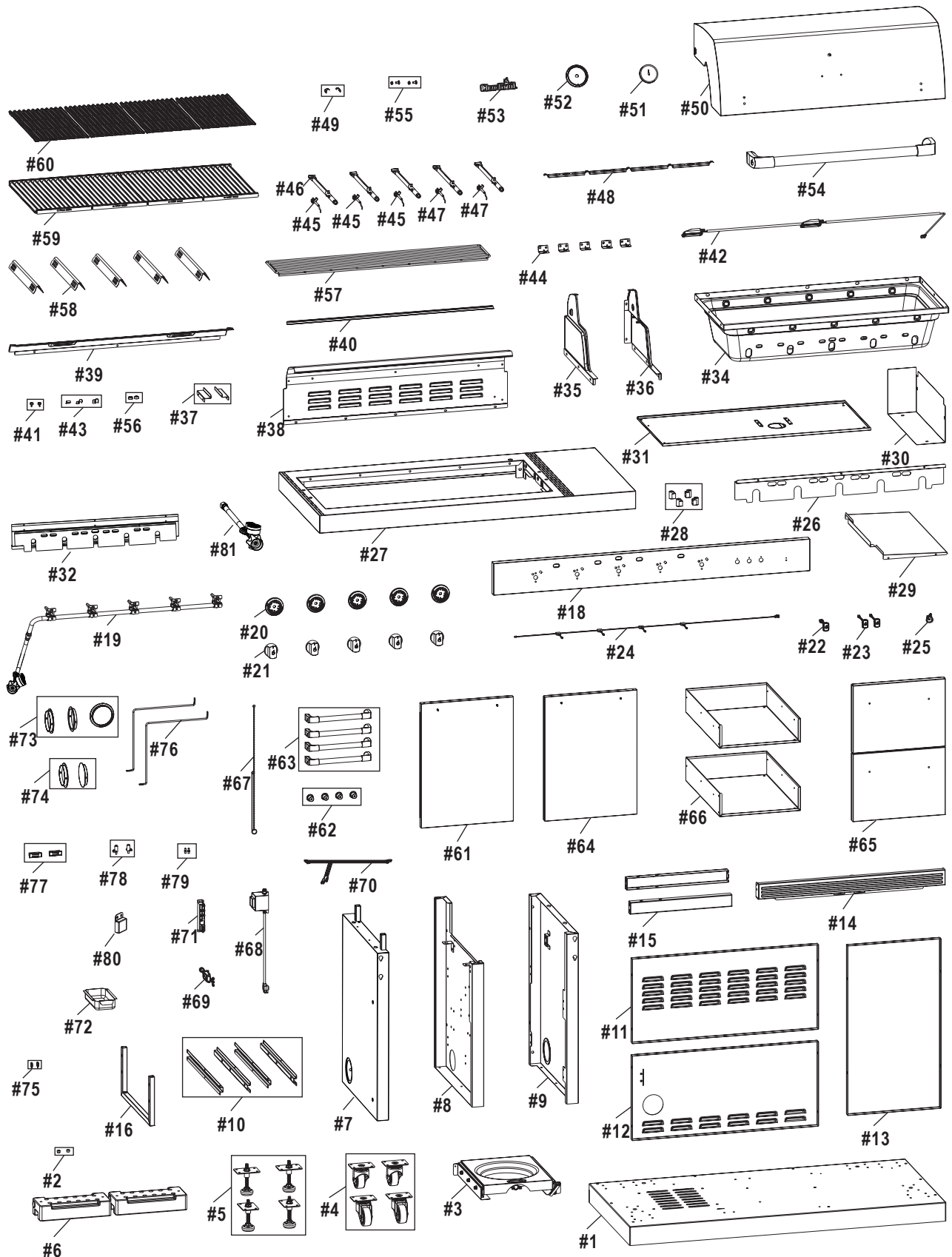
Afloje los dos tornillos que bloquean la bombilla, si es necesario.



Especificaciones de la bombilla

Tipo de bombilla:	Halógena
Potencia en vatios:	10 vatios por bombilla
Voltaje:	12V

REPLACEMENT PARTS DIAGRAM / DIAGRAMA DE PIEZAS DE REPUESTO



REPLACEMENT PARTS LIST / LISTA DE PIEZAS DE REEMPLAZO

Key	Qty	Description
1	1	BOTTOM SHELF
2	2	DOOR STOP
3	1	LP TANK SHELF ASSEMBLY
4	4	CASTER, FIXED
5	4	LEVELER
6	2	WEIGHT BLOCK
7	1	LEFT CART PANEL W/ SUPPORT
8	1	MIDDLE CART PANEL
9	1	RIGHT CART PANEL
10	4	DRAWER SLIDE
11	1	REAR PANEL, UPPER CART
12	1	REAR PANEL, LOWER CART
13	1	REAR PANEL, DRAWER CART
14	1	UPPER DOOR BRACE
15	2	UPPER DRAWER BRACE
16	1	FIREBOX SUPPORT, RIGHT
17	...	REVISED, NOW INCLUDED WITH KEY #7
18	1	CONTROL PANEL
19	1	HOSE VALVE REGULATOR ASSEMBLY
20	5	BEZEL F/ CONTROL KNOB
21	5	CONTROL KNOB
22	1	IGNITER SWITCH MODULE
23	2	LIGHT SWITCH, F/ BEZEL
24	1	WIRE HARNESS, F/ LIGHT
25	1	LOGO PLATE, CONTROL PANEL
26	1	HEAT SHIELD, F/ CONTROL PANEL
27	1	SHELF FRAME
28	4	ROTISSERIE BRACKET SUPPORT
29	1	DRAWER RAIN SHIELD
30	1	HEAT SHIELD, F/ DRAWER
31	1	HEAT SHIELD, F/ TANK
32	1	HEAT SHIELD, F/ VALVE AND FIREBOX
33	...	REVISED, NOW INCLUDED WITH KEY #32
34	1	FIREBOX
35	1	LEFT SIDE PANEL, F/ FIREBOX
36	1	RIGHT SIDE PANEL, F/ FIREBOX
37	2	WARMING RACK BRACKET
38	1	REAR PANEL, F/ FIREBOX
39	1	HALOGEN LIGHT PANEL

Key	Qty	Description
40	1	WIND SHIELD
41	2	REAR BUMPER, F/ TOP LID
42	1	HALOGEN LIGHT ASSEMBLY
43	3	WIRE CLIP, TOP LID
44	5	BURNER BRACE
45	3	ELECTRODE SET, F/ MAIN BURNER, 900MM WIRE
46	5	MAIN BURNER
47	2	ELECTRODE SET, F/ MAIN BURNER, 500MM WIRE
48	4	CARRY OVER TUBE
49	2	CAP, F/ CARRYOVER PORT
50	1	TOP LID
51	1	TEMPERATURE GAUGE
52	1	BEZEL, F/ TEMPERATURE GAUGE
53	1	LOGO PLATE
54	1	HANDLE F/ LID
55	1	TOP LID HARDWARE
56	2	FRONT BUMPER, F/ TOP LID
57	1	WARMING RACK
58	5	HEAT TENT
59	4	COOKING GRATE, INFRARED EMITTER
60	4	COOKING GRATE
61	1	DOOR, LEFT, NO HANDLE
62	4	BUSHING, F/ DOOR HANDLE
63	4	DOOR/ DRAWER HANDLE
64	1	DOOR, RIGHT, NO HANDLE
65	2	DRAWER FRONT
66	2	DRAWER FRAME
67	1	MATCH HOLDER
68	1	TRANSFORMER
69	1	AC/ DC CONVERTER
70	1	IGNITION WIRE ASSEMBLY
71	1	ELECTRONIC IGNITION MODULE
72	1	GREASE BOX
73	3	GROMMET
74	2	PLASTIC CAP
75	2	WIRE CLIP
76	2	TANK EXCLUSION
77	1	DOOR MAGNET
78	2	SPRING PIN, F/ DOOR
79	2	FIXED PIN, F/ DOOR
80	1	WIRE CLIP, IGNITOR
81	1	HOSE/ REGULATOR REPLACEMENT ONLY

NOT Pictured

...	1	PRODUCT GUIDE, ENGLISH, SPANISH
...	1	CLEANING TOOL
...	1	HARDWARE KIT W/ LOCKING PLATE

REPLACEMENT PARTS LIST / LISTA DE PIEZAS DE REEMPLAZO

Llv	Cant.	Descripción
1	1	ESTANTE INFERIOR
2	2	PARADA DE LA PUERTA
3	1	MONTAJE DE ESTANTE DE TANQUE LP
4	4	CASTER, FIJO
5	4	NIVELADOR
6	2	BLOQUE DE PESO
7	1	PANEL DE CARRITO IZQUIERDO CON SOPORTE
8	1	PANEL DE CARRITO MEDIO
9	1	PANEL DE CARRITO DERECHO
10	4	DIPOSITIVA DEL CAJÓN
11	1	PANEL TRASERO, CARRITO SUPERIOR
12	1	PANEL TRASERO, CARRITO INFERIOR
13	1	PANEL TRASERO, CARRITO DEL CAJÓN
14	1	PUERTA SUPERIOR BRACE
15	2	PARTE SUPERIOR DEL CAJÓN
16	1	SOPORTE FIREBOX, DERECHO
17	...	REVISADO, AHORA INCLUIDO CON CLAVE # 7
18	1	PANEL DE CONTROL
19	1	CONJUNTO REGULADOR DE VÁLVULA DE MANGUERA
20	5	BISEL PARA PERILLA DE CONTROL
21	5	PERILLA DE CONTROL
22	1	MODULO DE INTERRUPTOR DE ENCENDIDO
23	2	INTERRUPTOR DE LUZ, PARA BEZEL
24	1	ARNÉS DE ALAMBRE PARA LUZ
25	1	PLACA LOGOTICA, PANEL DE CONTROL
26	1	ESCUDO TÉRMICO, PARA PANEL DE CONTROL
27	1	MARCO DE ESTANTE
28	4	SOPORTE SOPORTE ROTISSERIE
29	1	ESCUDO DE LLUVIA DEL CAÍDOR
30	1	ESCUDO PARA CALOR, PARA CAJÓN
31	1	ESCUDO PARA CALOR, PARA TANQUE
32	1	SHIELD PARA CALOR, PARA VÁLVULA/ CAJA DE FUEGO
33	...	REVISADO, AHORA INCLUIDO CON CLAVE # 32
34	1	CAJA DE FUEGO
35	1	PANEL LATERAL IZQUIERDO, PARA CAJA DE FUEGO
36	1	PANEL LADO DERECHO, PARA CAJA DE FUEGO
37	2	CALENTAMIENTO DEL SOPORTE DEL RACK
38	1	PANEL TRASERO, PARA CAJA DE FUEGO
39	1	PANEL DE LUZ HALÓGENO
40	1	VIENTO ESCUDO
41	2	PARACHOQUES TRASERO, PARA TAPA SUPERIOR
42	1	ASAMBLEA DE LUZ HALÓGENA
43	3	TAPA DE ALAMBRE, TAPA SUPERIOR
44	5	SOPORTE PARA QUEMADOR

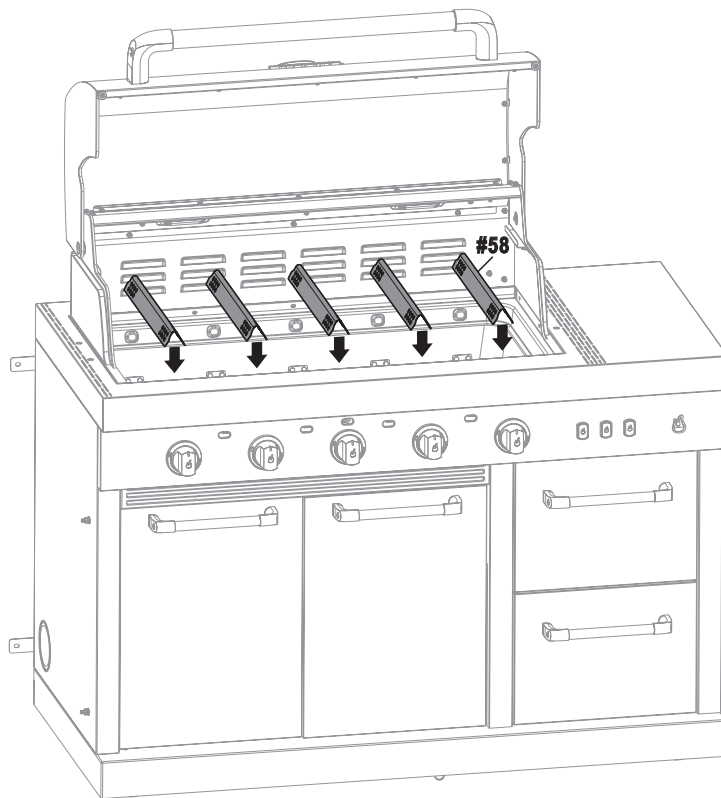
Llv	Cant.	Descripción
45	3	JUEGO DE ELECTRODOS, PARA QUEMADOR PRINCIPAL, CABLE DE 900MM
46	5	QUEMADOR PRINCIPAL
47	2	JUEGO DE ELECTRODOS, PARA QUEMADOR PRINCIPAL, ALAMBRE DE 500MM
48	4	LLEVARSE SOBRE EL TUBO
49	2	CAP, PARA EL PUERTO DE CARRYOVER
50	1	TAPA SUPERIOR
51	1	INDICADOR DE TEMPERATURA
52	1	BISEL PARA INDICADOR DE TEMPERATURA
53	1	PLACA DE LOGOTIPO
54	1	MANGO PARA LA TAPA
55	1	KIT DE TORNILLERÍA DE TAPA SUPERIOR
56	2	PARACHOQUES DELANTERO, PARA TAPA SUPERIOR
57	1	ESTANTE DE CALENTAMIENTO
58	5	TIENDA DE CALOR
59	4	GALLETAS DE COCCIÓN, EMISOR INFRARROJO
60	4	COCINA DE LA COCINA
61	1	PUERTA, IZQUIERDA, SIN MANETA
62	4	CASQUILLO,, F / PUERTA DE PUERTA
63	4	PUERTA / MANIJA DEL CAJÓN
64	1	PUERTA, DERECHA, SIN MANETA
65	2	CAJÓN DELANTERO
66	2	CAJÓN MARCO
67	1	TITULAR DEL PARTIDO
68	1	TRANSFORMADOR
69	1	CONVERTIDOR AC / DC
70	1	CONJUNTO DE ALAMBRE DE ENCENDIDO
71	1	MÓDULO DE ENCENDIDO ELECTRÓNICO
72	1	CAJA DE GRASA
73	3	OJAL
74	2	TAPA DE PLÁSTICO
75	2	TAPA DEL ALAMBRE
76	2	EXCLUSIÓN DE TANQUE
77	1	IMÁN PARA PUERTAS
78	2	PIN DE MUELLE, PARA PUERTA
79	2	PIN FIJO PARA PUERTA
80	1	TITULAR DE ALAMBRE, IGNITOR
81	1	CONJUNTO DE REGULADOR DE MANGUERA REPLACEMENT ONLY

NOT Pictured

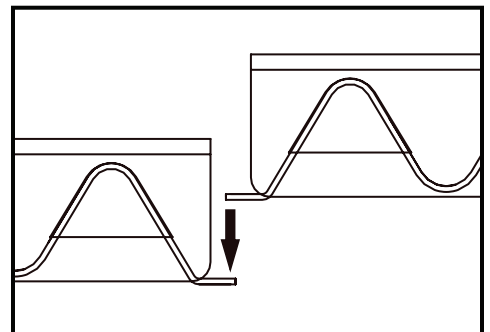
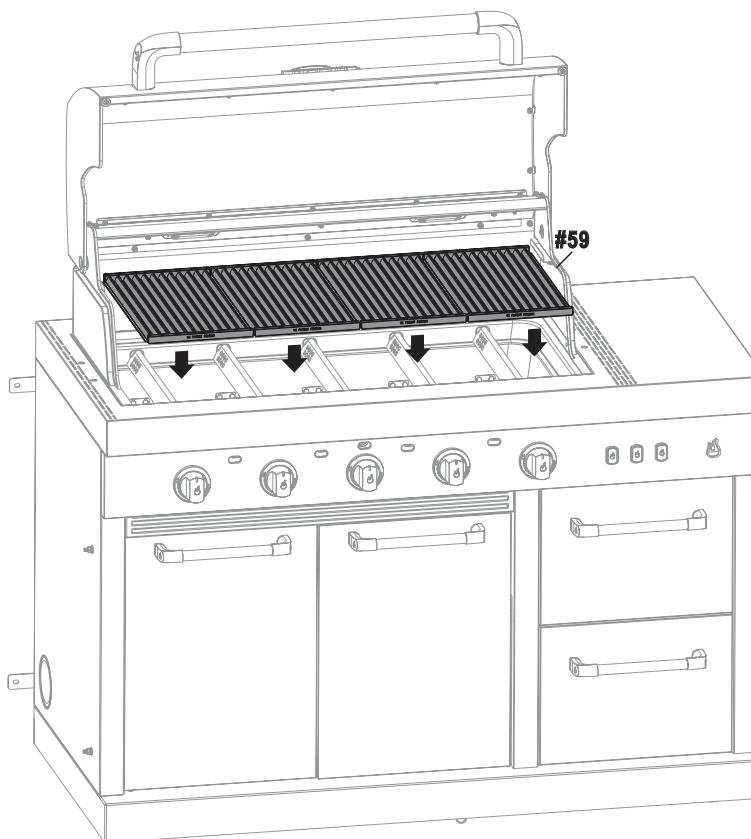
...	1	GUÍA DE PRODUCTO, INGLÉS, ESPAÑOL
...	1	HERRAMIENTA DE LIMPIEZA
...	1	KIT DE HARDWARE CON PLACA DE BLOQUEO

ASSEMBLY / ASAMBLEA

1



2

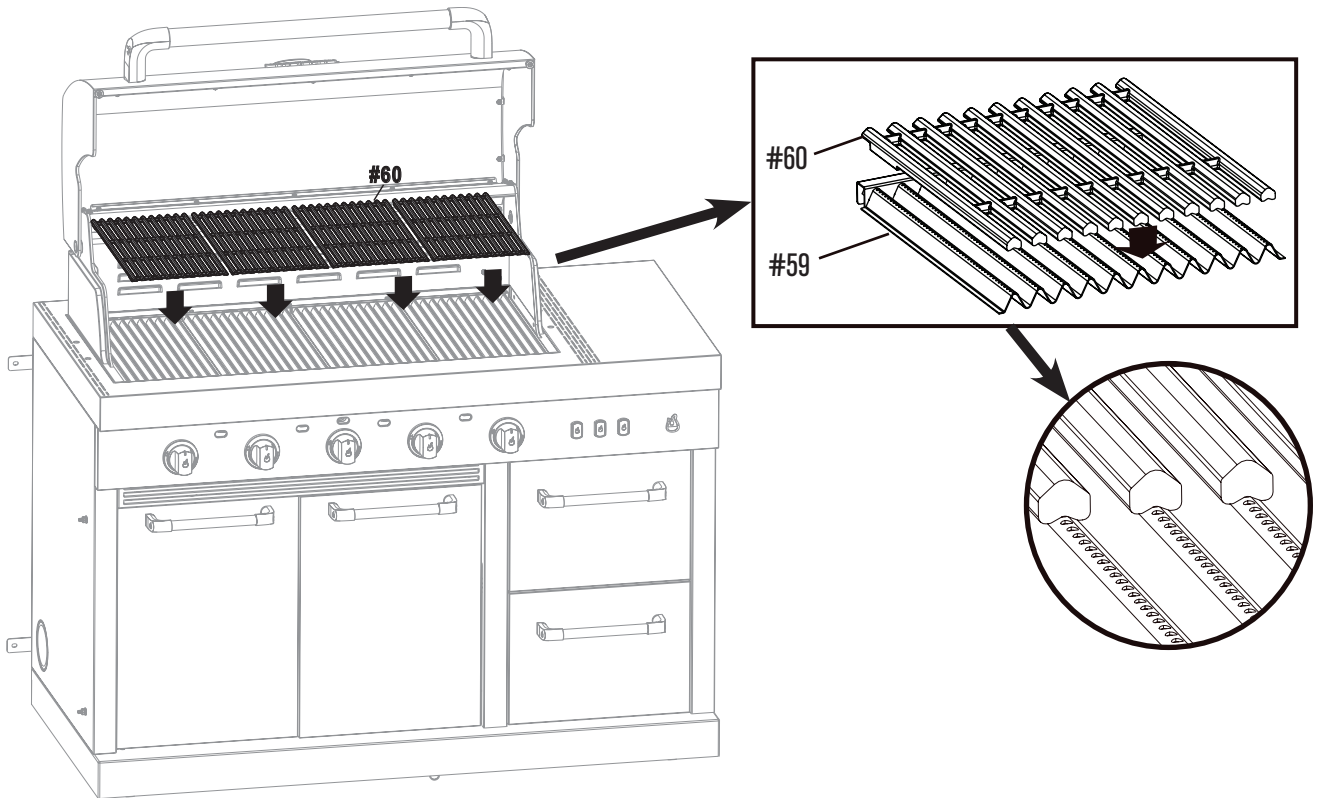


IMPORTANT: Infrared emitters must be placed keeping both flat walls overlapped to prevent any flare-up.

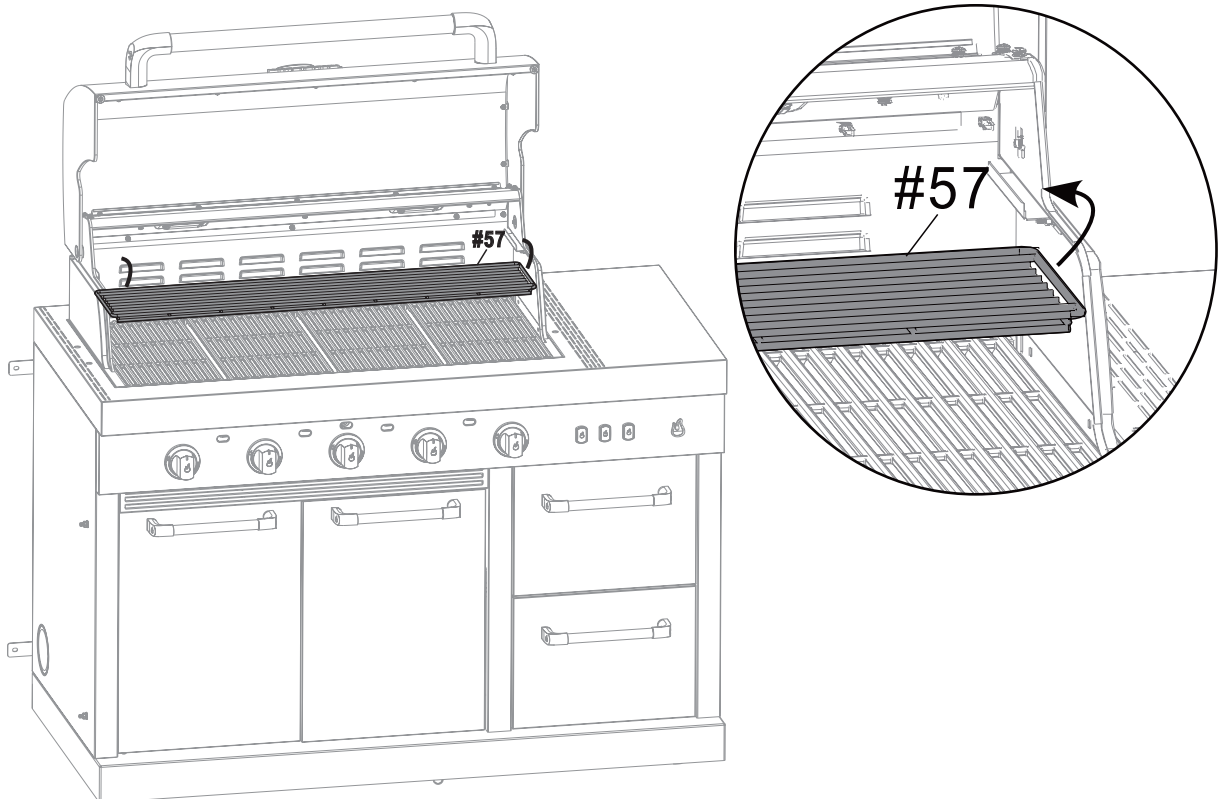
IMPORTANTE: los emisores infrarrojos deben colocarse de tal forma que se empalmen las dos superficies planas para prevenir llamaradas.

ASSEMBLY / ASAMBLEA

3

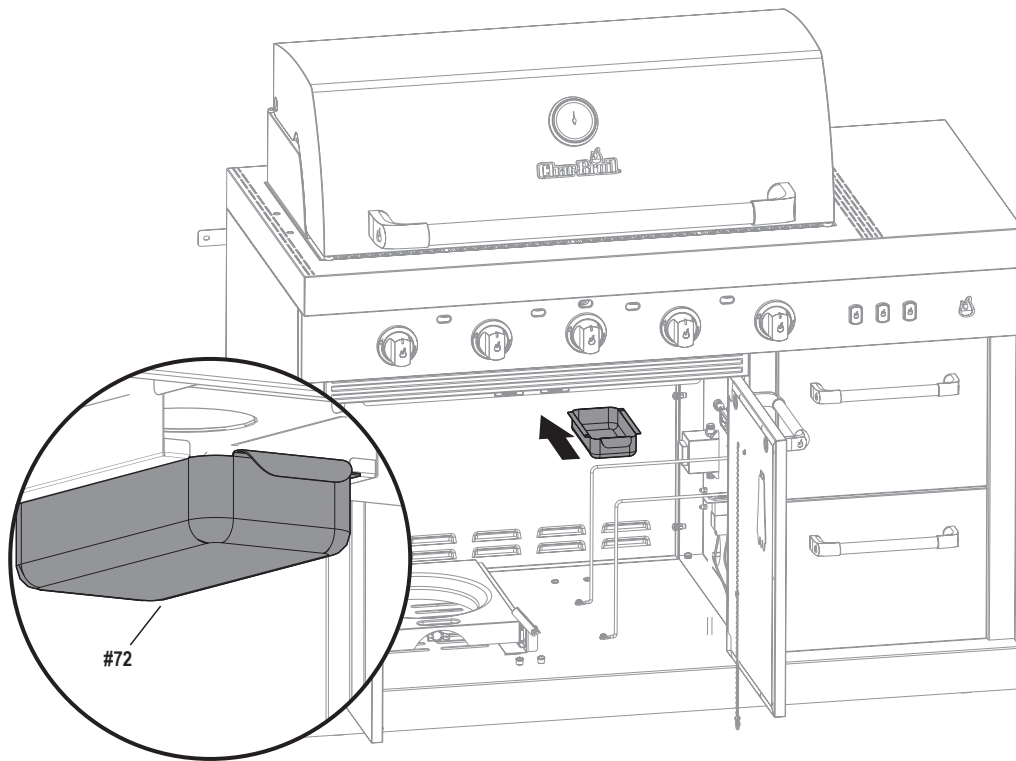


4

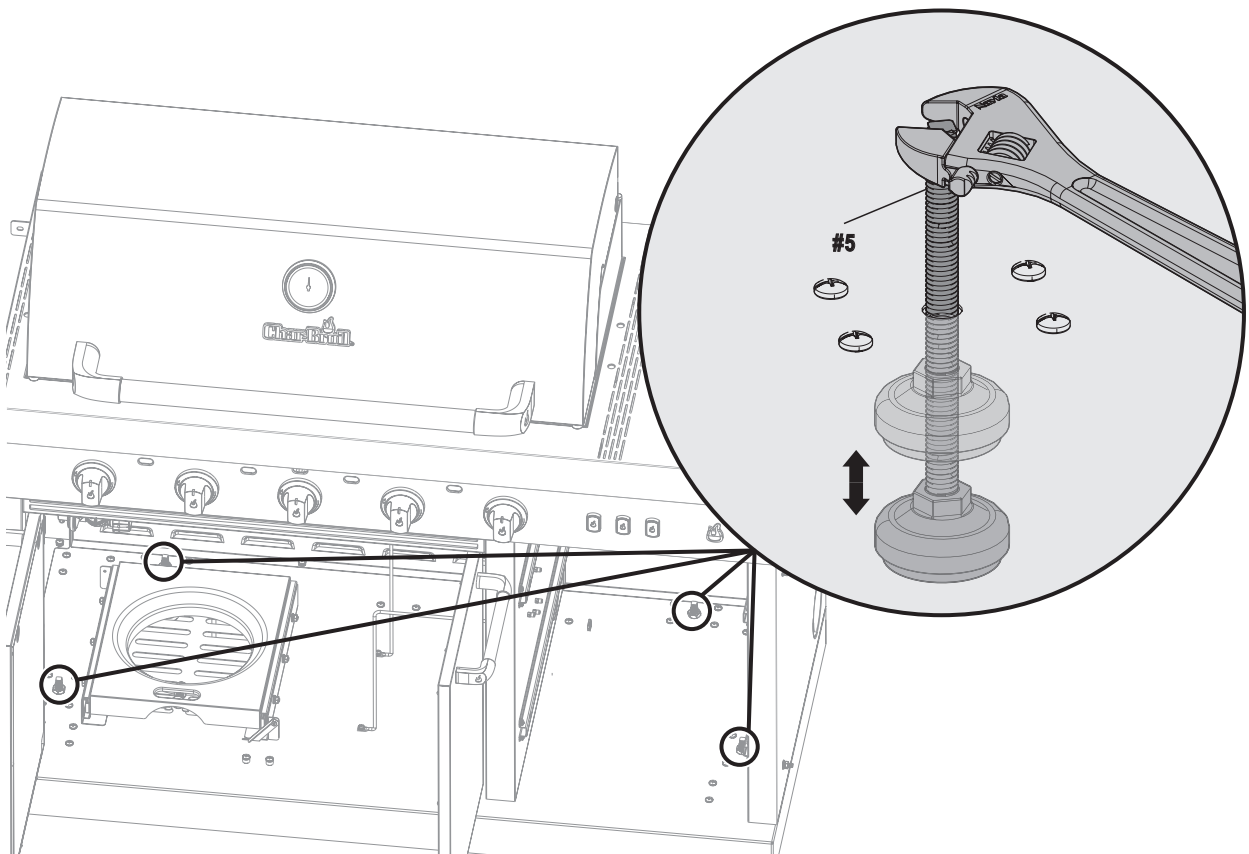


ASSEMBLY / ASAMBLEA

5

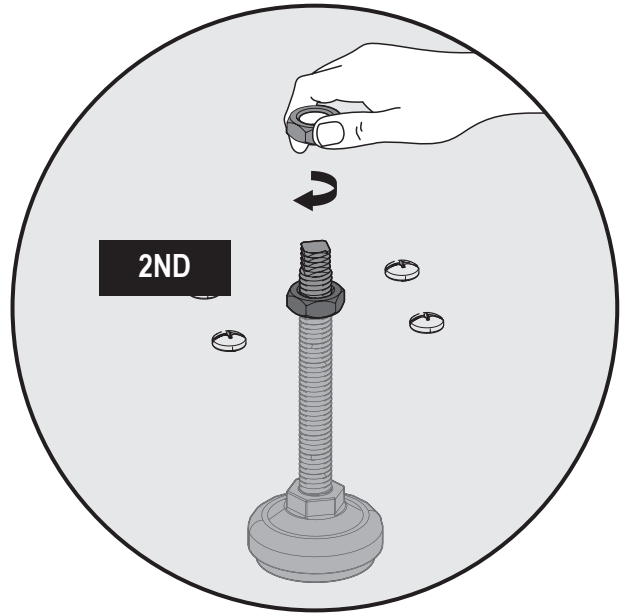
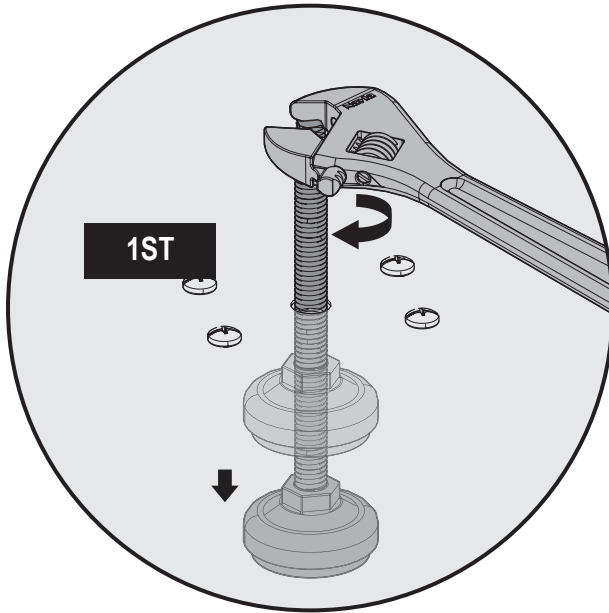


6

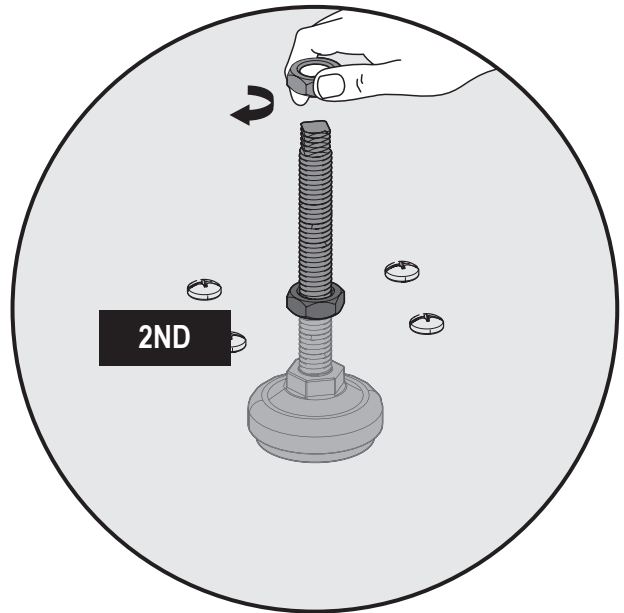
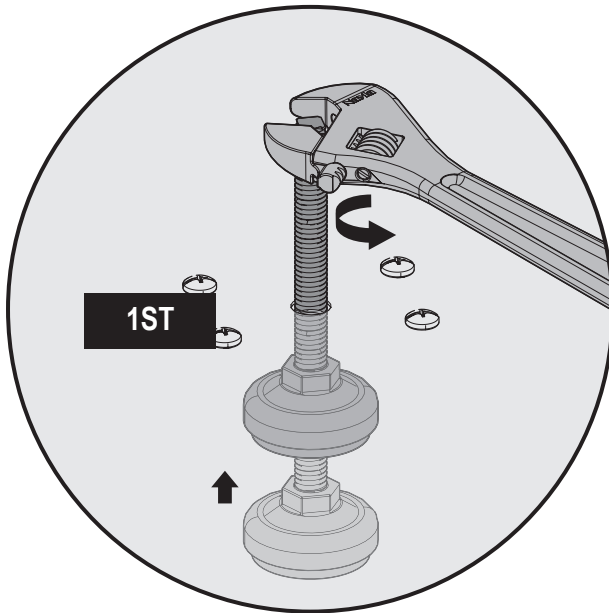


ASSEMBLY / ASAMBLEA

7

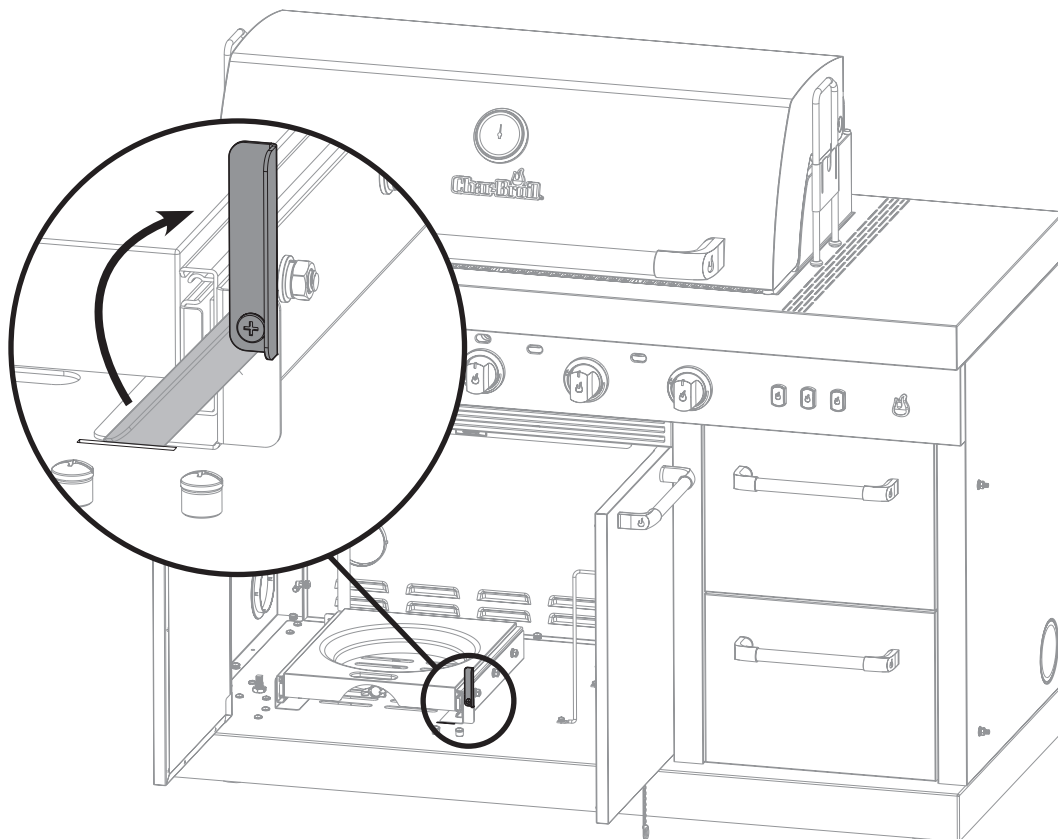


OR/ OU

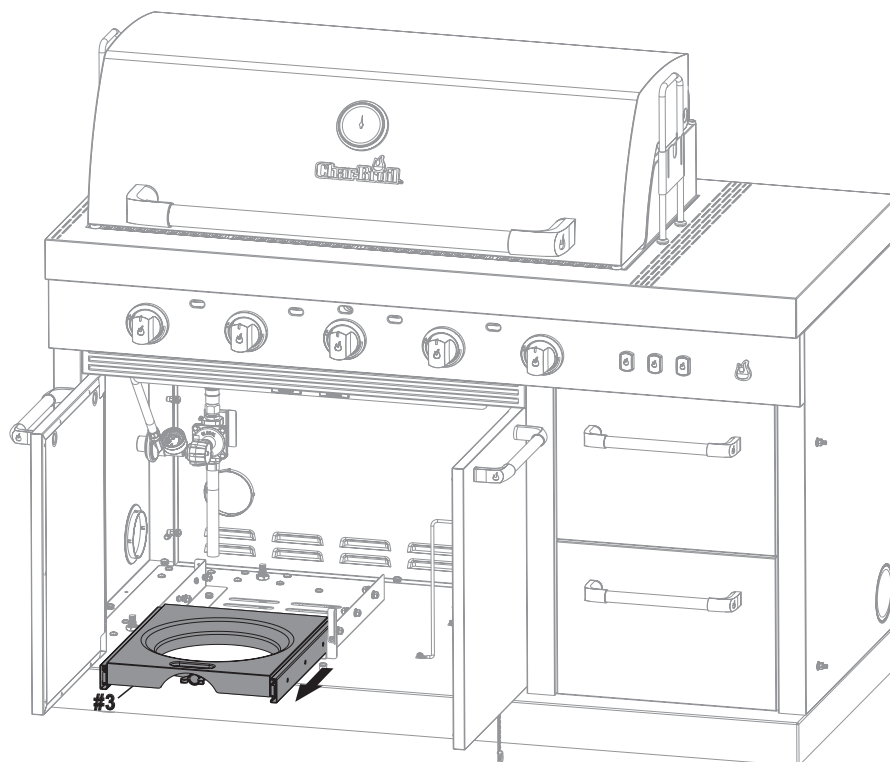


ASSEMBLY / ASAMBLEA

8

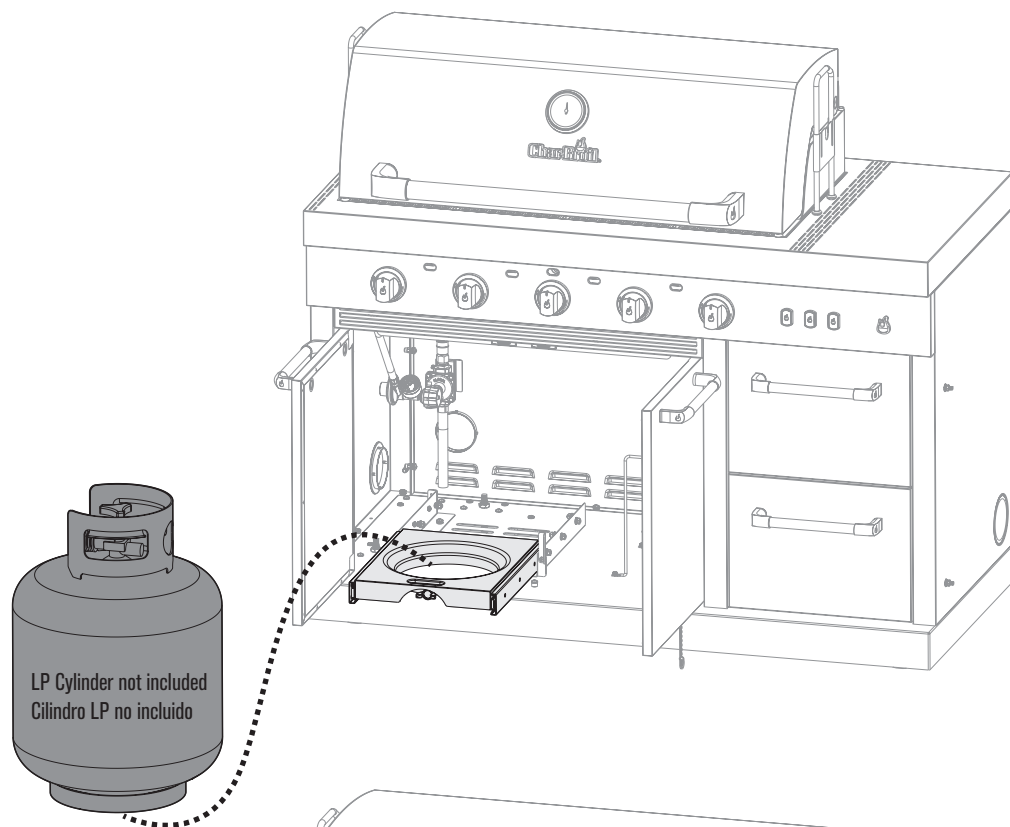


9



ASSEMBLY / ASAMBLEA

10



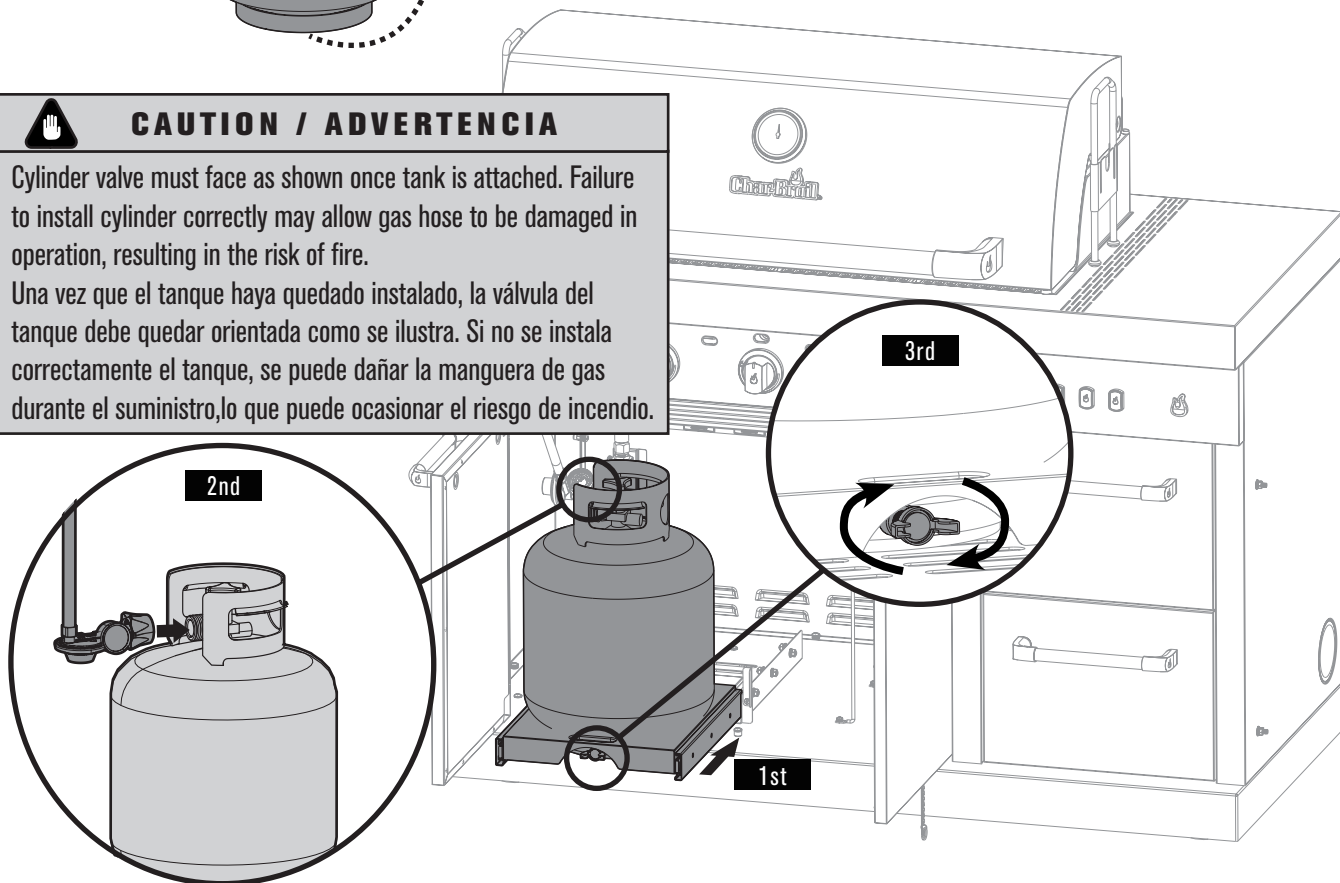
11



CAUTION / ADVERTENCIA

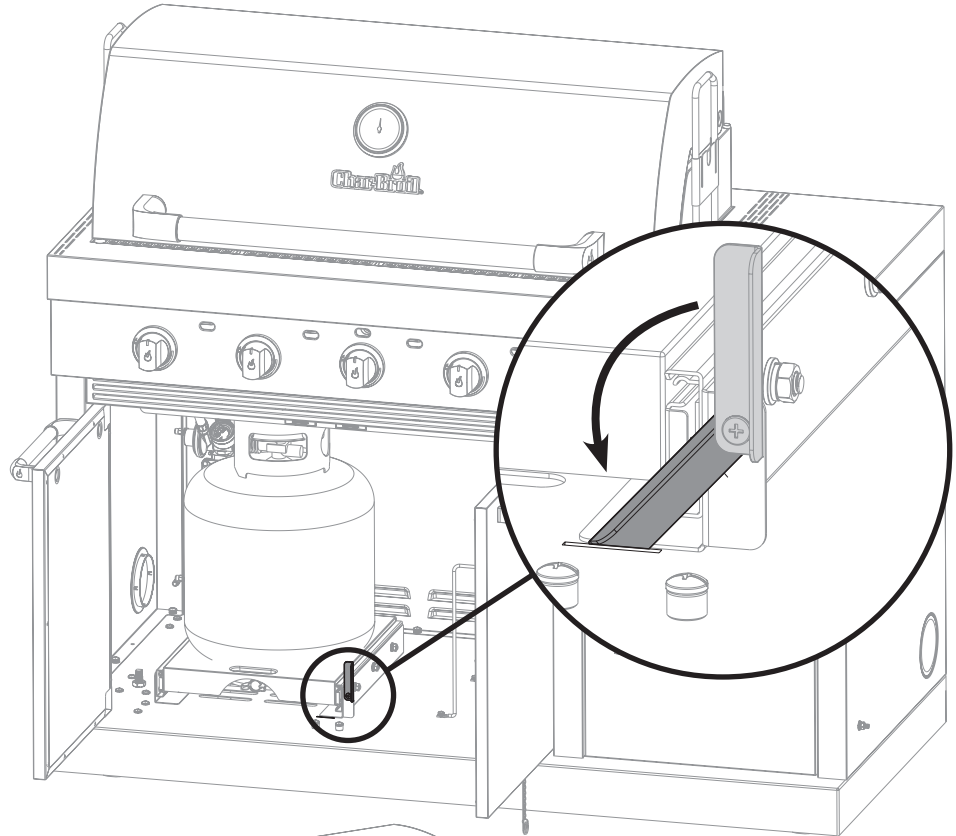
Cylinder valve must face as shown once tank is attached. Failure to install cylinder correctly may allow gas hose to be damaged in operation, resulting in the risk of fire.

Una vez que el tanque haya quedado instalado, la válvula del tanque debe quedar orientada como se ilustra. Si no se instala correctamente el tanque, se puede dañar la manguera de gas durante el suministro, lo que puede ocasionar el riesgo de incendio.

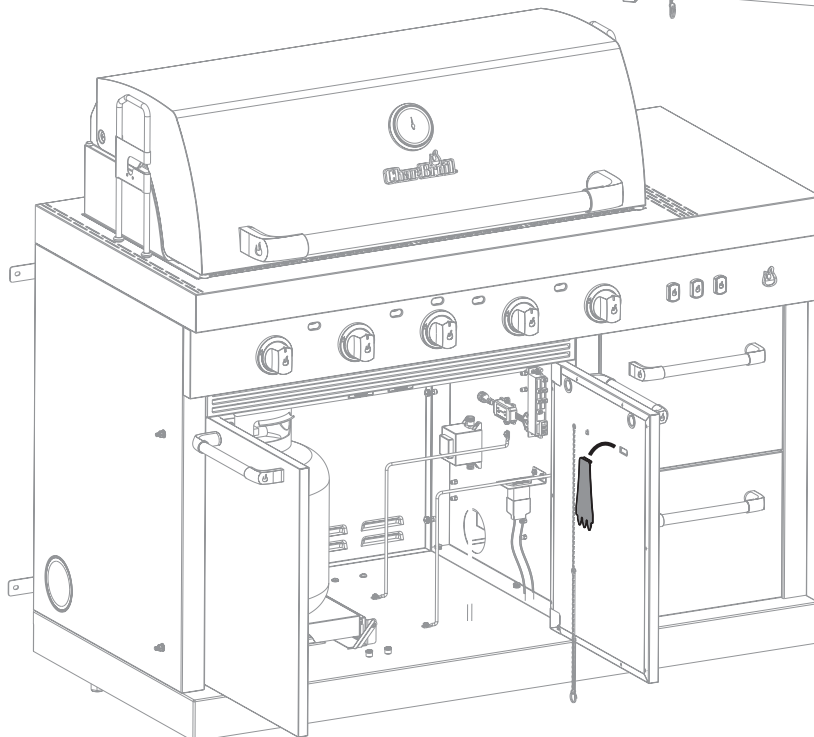


ASSEMBLY / ASAMBLEA

12

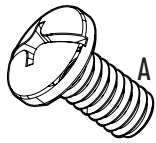


13

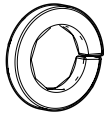


ASSEMBLY / ASAMBLEA

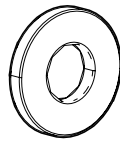
14



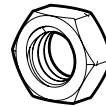
A-6



B-6

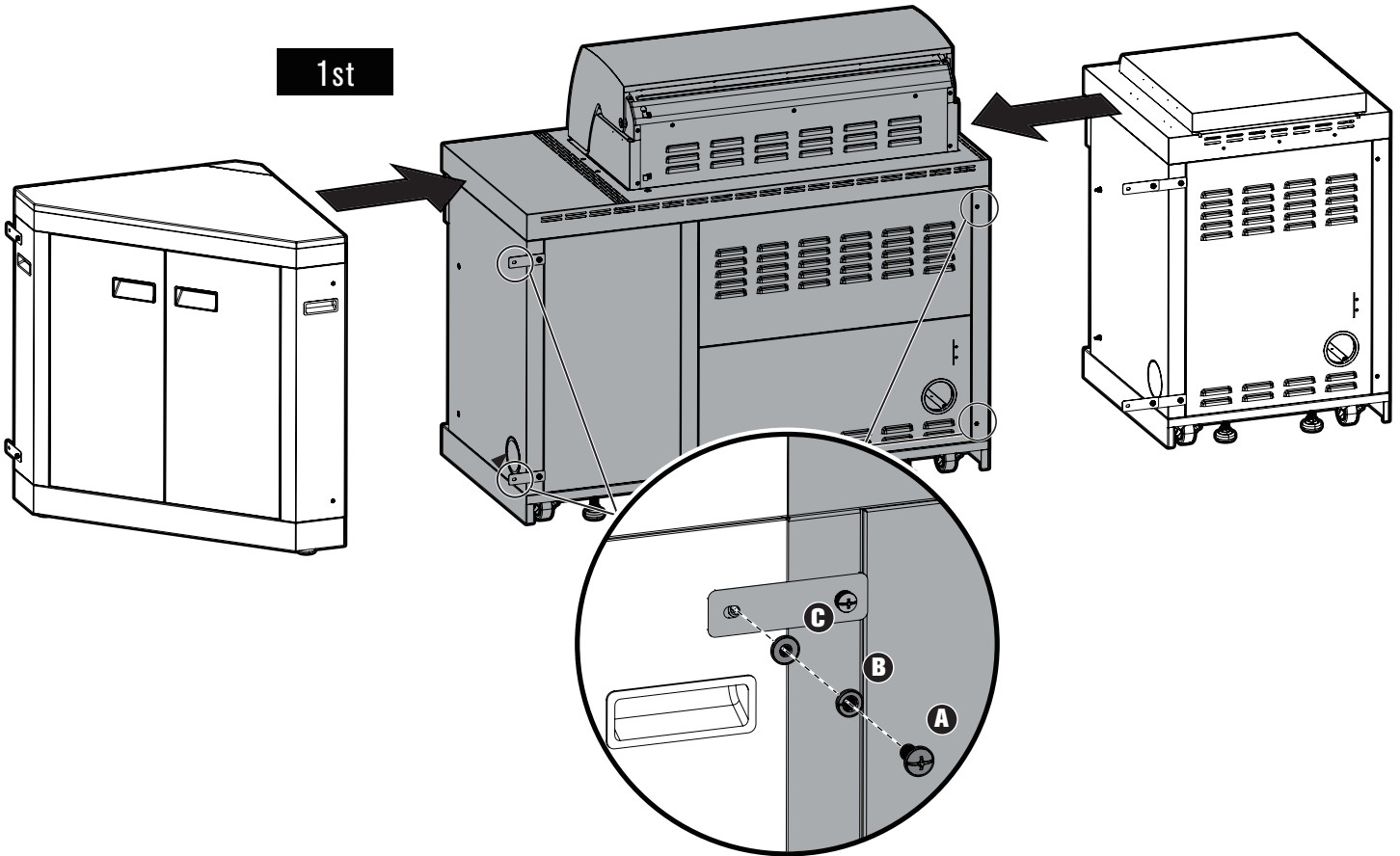


C-6

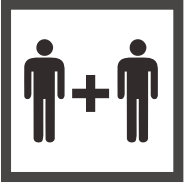


D-2

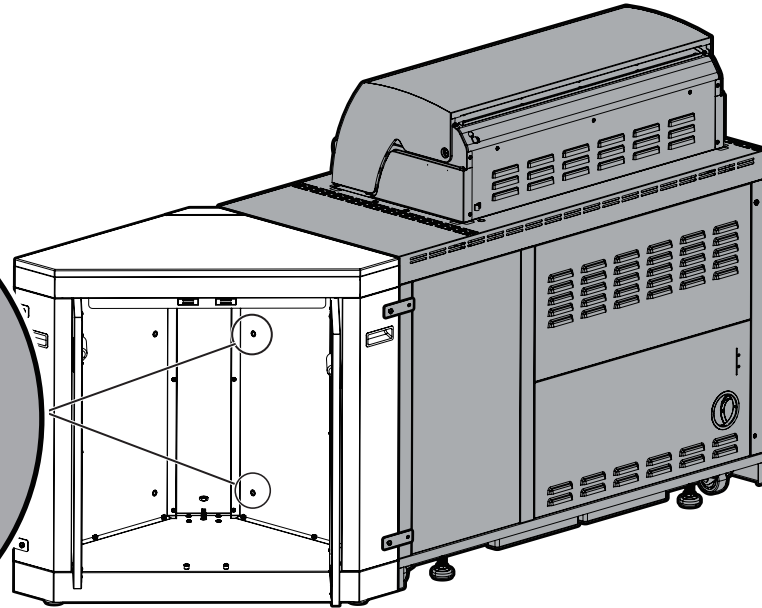
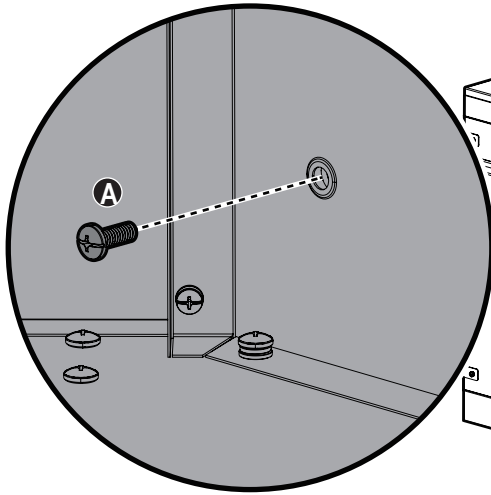
1st



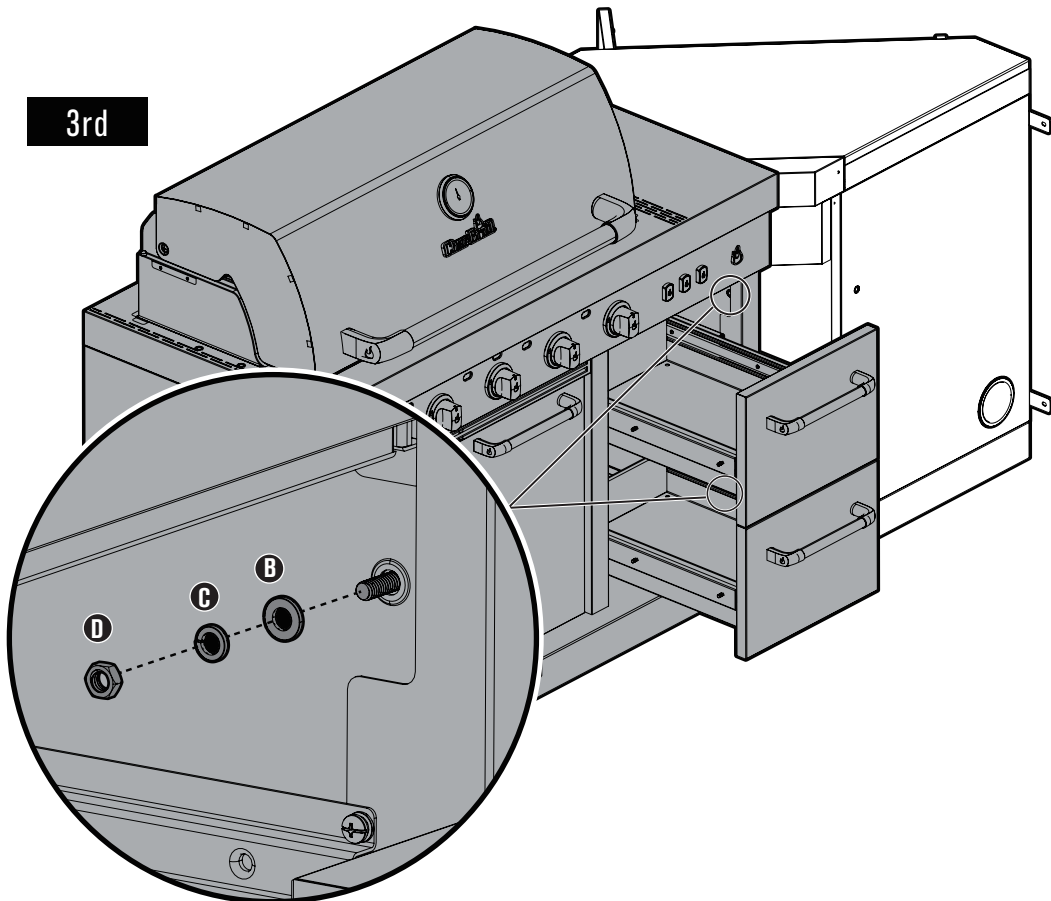
ASSEMBLY / ASAMBLEA



2nd

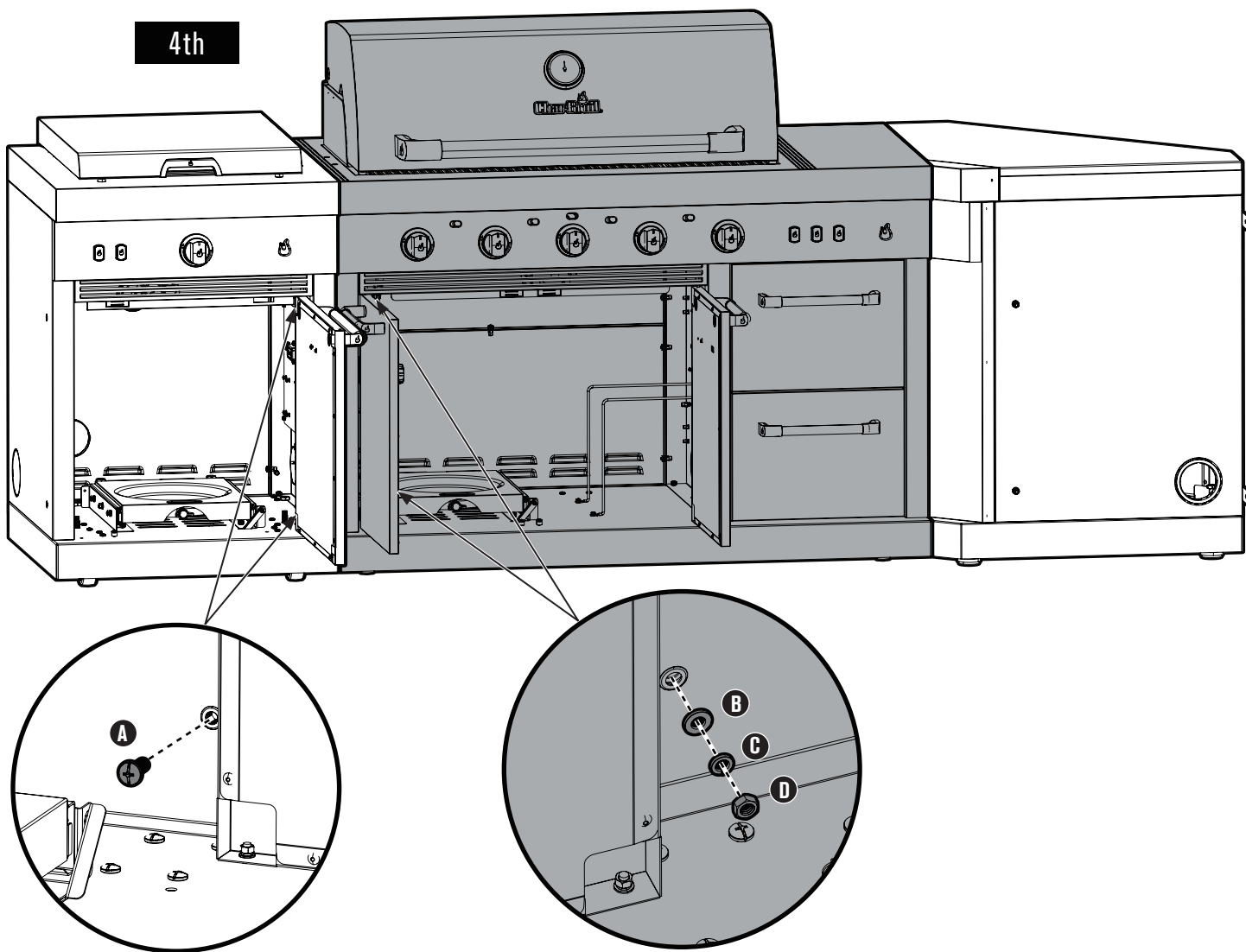


3rd



ASSEMBLY / ASAMBLEA

4th



TROUBLESHOOTING

EMERGENCIES: If a gas leak cannot be stopped, or a fire occurs due to gas leakage, call the fire department.

EMERGENCIES	POSSIBLE CAUSE	PREVENTION / SOLUTION
Gas leaking from cracked/cut/burned hose.	<ul style="list-style-type: none"> Damaged hose. 	<ul style="list-style-type: none"> Turn off gas at LP cylinder or at source on natural gas systems. Discontinue use of product and replace valve/hose/regulator. Once valve/hose/regulator replaced conduct complete leak check per <i>Leak Checking Your Grill</i>.
Gas leaking from LP cylinder.	<ul style="list-style-type: none"> Mechanical failure due to rusting or mishandling. 	<ul style="list-style-type: none"> Replace LP cylinder.
Gas leaking from LP cylinder valve.	<ul style="list-style-type: none"> Failure of cylinder valve from mishandling or mechanical failure. 	<ul style="list-style-type: none"> Turn off LP cylinder valve. Return LP cylinder to gas supplier.
Gas leaking between LP cylinder and regulator connection.	<ul style="list-style-type: none"> Improper installation, connection not tight, and/or failure of rubber seal in cylinder valve. 	<ul style="list-style-type: none"> Turn off LP cylinder valve. Remove regulator from cylinder and visually inspect rubber seal in cylinder valve for damage. If damage or cannot correct leak replace cylinder. See LP Cylinder Leak Test and Connecting Regulator to the LP Cylinder.
Fire coming through control panel.	<ul style="list-style-type: none"> Fire in burner tube section of burner due to blockage. 	<ul style="list-style-type: none"> Turn off control knobs and LP cylinder valve. Leave lid open to allow flames to die down. After fire is out and grill is cold, remove burner and inspect for spider nests or rust. See Natural Hazard and Cleaning the Burner Assembly pages.
Grease fire or continuous excessive flames above cooking surface.	<ul style="list-style-type: none"> Too much grease buildup in burner area. 	<ul style="list-style-type: none"> Turn off control knobs and LP cylinder valve. Leave lid open to allow flames to die down. After cooling, clean food particles and excess grease from inside firebox area, grease tray, and other surfaces.

TROUBLESHOOTING

PROBLEM	POSSIBLE CAUSE	PREVENTION / SOLUTION
Burner(s) will not light using ignitor. (See Electronic Ignition Troubleshooting also) Continued on next page.	GAS ISSUES: <ul style="list-style-type: none"> Trying to light wrong burner. Burner not engaged with control valve. Obstruction in burner. No gas flow. <ul style="list-style-type: none"> Coupling nut and LP cylinder valve not fully connected. 	<ul style="list-style-type: none"> See instructions on control panel and in Use and Care section. Make sure valves are positioned inside of burner tubes. Ensure burner tubes are not obstructed with spider webs or other matter. See cleaning section of Use and Care. Make sure LP cylinder is not empty. If LP cylinder is not empty, refer to "Sudden drop in gas flow." Turn the coupling nut approximately one-half to three-quarters additional turn until solid stop. Tighten by hand only - do not use tools.
	ELECTRICAL ISSUES: <ul style="list-style-type: none"> Electrode cracked or broken; "sparks at crack." Electrode tip not in proper position.(Does not apply to SUREFIRE.) <ul style="list-style-type: none"> Wire and/or electrode covered with cooking residue. Wires are loose or disconnected. Wires are shorting (sparking) between ignitor and electrode. 	

TROUBLESHOOTING

PROBLEM	POSSIBLE CAUSE	PREVENTION / SOLUTION
Burner(s) will not light using ignitor. (See Electronic Ignition Troubleshooting also) Continued on next page.	ELECTRONIC IGNITION: <ul style="list-style-type: none"> No spark, no ignition noise. No spark, some ignition noise. Sparks, but not at electrode or at full strength. 	<ul style="list-style-type: none"> See Section I of Electronic Ignition System. See Section II of Electronic Ignition System. See Section III of Electronic Ignition System.
Burner(s) will not match light.	<ul style="list-style-type: none"> See “GAS ISSUES:” Match will not reach. Improper method of match-lighting. 	<ul style="list-style-type: none"> Use long-stem match (fireplace match). See “Match-Lighting” section of <i>Lighting Your Grill</i>.
Sudden drop in gas flow or low flame.	<ul style="list-style-type: none"> Out of gas. Excess flow valve tripped. Vapor lock at coupling nut/LP cylinder connection. 	<ul style="list-style-type: none"> Check for gas in LP cylinder. Turn off knobs, wait 30 seconds and light grill. If flames are still low, turn off knobs and LP cylinder valve. Disconnect regulator. Reconnect regulator and leak-test. Turn on LP cylinder valve, wait 30 seconds and then light grill. Turn off knobs and LP cylinder valve. Disconnect coupling nut from cylinder. Reconnect and retry.
Flames blow out.	<ul style="list-style-type: none"> High or gusting winds. Low on LP gas. Excess flow valve tripped. 	<ul style="list-style-type: none"> Turn front of grill to face wind or increase flame height by turning gas valve to a higher position. Refill LP cylinder. Refer to “Sudden drop in gas flow” above.
Flashback (fire in burner tube(s)).	<ul style="list-style-type: none"> Burner and/or burner tubes are blocked. 	<ul style="list-style-type: none"> Turn knobs to OFF. Clean burner and/or burner tubes. See burner cleaning <i>Care and Maintenance Section of this guide</i>

IGNITION PROBLEM	POSSIBLE CAUSE	CHECK PROCEDURE	PREVENTION / SOLUTION
SECTION I No sparks appear at any electrodes when Electronic Ignition Button is pressed; no noise can be heard from spark module.	<ul style="list-style-type: none"> No power to spark module Button assembly not installed properly. Faulty spark module. 	<ul style="list-style-type: none"> Verify transformer is plugged in, and all wires in cabinet are connected. 	<ul style="list-style-type: none"> Plug in module to 120V AC Outlet. Disconnect and reconnect wires from transformer to AC/DC Converter and from AC/DC Converter to spark module. Replace spark module assembly.
SECTION II No sparks appear at any electrodes when Electronic Ignition Button is pressed; noise can be heard from spark module.	<ul style="list-style-type: none"> Output lead connections not connected. 	<ul style="list-style-type: none"> Are output connections on and tight? 	<ul style="list-style-type: none"> Remove and reconnect all output connections at module and electrodes.
SECTION III Sparks are present but not at all electrodes and/or not at full strength	<ul style="list-style-type: none"> Output lead connections not connected. Arcing to grill away from burner(s). Electrodes are wet. Electrodes cracked or broken “sparks at crack”. 	<ul style="list-style-type: none"> Are output connections on and tight? If possible, observe grill in dark location. Operate ignition system and look for arcing between output wires and grill frame. Has moisture accumulated on electrode and/or in burner ports? Inspect electrodes for cracks. 	<ul style="list-style-type: none"> Remove and reconnect all output connections at module and electrodes. If sparks are observed other than from burner(s), wire insulation may be damaged. Replace wires. Use paper towel to remove moisture. Replace cracked or broken electrodes.

RESOLUCION DE PROBLEMAS

EMERGENCIAS: Si no es posible detener la fuga de gas, o ocurre un incendio debido a la fuga de gas, llame al departamento de bomberos.

EMERGENCIAS	CAUSA POSIBLE	PREVENCIÓN / SOLUCIÓN
Fuga de gas desde una manguera agrietada/cortada/quemada.	<ul style="list-style-type: none"> Manguera dañada. 	<ul style="list-style-type: none"> Cierre el gas del cilindro de gas LP en el origen en sistemas de gas natural. Interrumpa el uso del producto y reemplace la válvula/manguera/regulador. Una vez reemplazada la válvula/manguera/regulador complete la comprobación de fugas de acuerdo con la <i>Comprobación de fugas de su parrilla</i>.
Fuga de gas desde el cilindro de gas LP.	<ul style="list-style-type: none"> Falla mecánica debido a la oxidación o la manipulación inadecuada. 	<ul style="list-style-type: none"> Reemplace el cilindro de gas LP.
Fuga de gas desde la válvula del cilindro de gas LP.	<ul style="list-style-type: none"> Falla en la válvula del cilindro debido a manipulación inadecuada o falla mecánica. 	<ul style="list-style-type: none"> Cierre la válvula del cilindro de gas LP. Devuelva el cilindro de gas LP al proveedor de gas.
Fuga de gas en la conexión entre el cilindro de gas LP y el regulador.	<ul style="list-style-type: none"> Instalación incorrecta, conexión no apretada, y/o falla del sello de caucho en la válvula del cilindro. 	<ul style="list-style-type: none"> Cierre la válvula del cilindro de gas LP. Retire el regulador del cilindro e inspeccione visualmente el sello de caucho en la válvula del cilindro para ver si está dañado. Si está dañado o no puede corregir al fuga, reemplace el cilindro. Consulte la prueba de fugas del cilindro de gas LP y la conexión del regulador al cilindro de gas LP.
Fuego proveniente del panel de control.	<ul style="list-style-type: none"> Fuego en la sección del tubo del quemador debido a obstrucción. 	<ul style="list-style-type: none"> Gire todas las perillas de control y la válvula de cilindro de gas LP hacia la posición de apagado (off). Deje la tapa abierta para permitir que las llamas se apaguen. Después que se apague el fuego y que la parrilla esté fría, retire el quemador e inspección para detectar nidos de araña u oxidación. Consulte las páginas de Riesgos naturales y limpieza del conjunto del quemador.
Incendios producidos por grada o llamas excesivas continuas por encima de la superficie de cocción.	<ul style="list-style-type: none"> Acumulación excesiva de grasa en el área del quemador. 	<ul style="list-style-type: none"> Gire todas las perillas de control y la válvula de cilindro de gas LP hacia la posición de apagado (off). Deje la tapa abierta para permitir que las llamas se apaguen. Después del enfriamiento, limpie las partículas de alimentos y la grasa excesiva desde el interior del área de la cámara de combustión, bandeja de grasa y otras superficies.

RESOLUCION DE PROBLEMAS

PROBLEMA	CAUSA POSIBLE	PREVENCIÓN / SOLUCIÓN
Los quemadores no se encienden usando el encendedor. (También consulte Resolución de problemas del encendedor electrónico) Continúa en la siguiente página.	PROBLEMAS CON EL GAS: <ul style="list-style-type: none"> Intentar encender el quemador incorrecto. El quemador no está conectado a la válvula de control. Obstrucción en el quemador. No hay flujo de gas. La tuerca de acoplamiento y las válvula del cilindro de gas LP no están completamente conectadas. 	<ul style="list-style-type: none"> Consulte las instrucciones en el panel de control y en la sección de Uso y cuidado. Asegúrese de que las válvulas estén posicionadas en el interior de los tubos del quemador. Asegúrese de que los tubos del quemador no estén obstruidos con telarañas u otros materiales. Consulte la sección de limpieza en Uso y cuidado. Asegúrese de que el cilindro de gas LP no esté vacío. Si el cilindro de gas LP no está vacío, consulte la sección "Caída súbita del flujo de gas". Gire la tuerca de acoplamiento aproximadamente media o tres cuartos de vuelta adicional hasta que se detenga totalmente. Apriete a mano solamente, no use herramientas.
	PROBLEMAS ELÉCTRICOS: <ul style="list-style-type: none"> Electrodo agrietado o roto; "chispas en la grieta". La punta del electrodo no está en la posición correcta. (No corresponde para SUREFIRE.) Cable y/o electrodo cubiertos con residuos de cocina. Los cables están sueltos o desconectados. Los cables hacen corto (chispas) entre el encendedor y el electrodo. 	

RESOLUCION DE PROBLEMAS

PROBLEMA	CAUSA POSIBLE	PREVENCIÓN / SOLUCIÓN
Los quemadores no se encienden usando el encendedor. (También consulte Resolución de problemas del encendedor electrónico) Continúa en la siguiente página.	ENCENDIDO ELECTRÓNICO: <ul style="list-style-type: none"> • Sin chispa, si ruido de encendido. • Sin chispa, con poco ruido de encendido. • Chispas, pero si electrodo o a plena potencia. 	<ul style="list-style-type: none"> • Consulte la Sección I del Sistema de Encendido Electrónico. • Consulte la Sección II del Sistema de Encendido Electrónico. • Consulte la Sección III del Sistema de Encendido Electrónico.
Los quemadores no se encienden usando fósforos.	<ul style="list-style-type: none"> • Consulte “PROBLEMAS CON EL GAS”: • El fósforo no llega. • Método inadecuado de encendido del fósforo. 	<ul style="list-style-type: none"> • Use fósforos largos (fósforos para chimenea). • Consulte la sección “Encendido con fósforo” en <i>Encendido de su parrilla</i>.
Caída súbita en el flujo de gas o llama baja.	<ul style="list-style-type: none"> • Se acabó el gas. • La válvula de flujo excesivo se disparó. • Bloqueo de vapor en la conexión de la tuerca de acoplamiento/cilindro de gas LP. 	<ul style="list-style-type: none"> • Revise para detectar fugas de gas en el cilindro de gas LP. • Coloque las perillas en la posición apagada (off), espere 30 segundos y encienda la parrilla. Si las llamas siguen bajas, gire todas las perillas a la posición de apagado y la válvula de cilindro de gas LP. Desconecte el regulador. Vuelva a conectar el regulador y pruebe para detectar fugas. Encienda la válvula del cilindro de gas LP, espere 30 segundos y luego encienda la parrilla. • Gire todas las perillas y la válvula de cilindro de gas LP hacia la posición de apagado (off). Desconecte la tuerca de acoplamiento del cilindro. Vuelva a conectar y reintente.
Las llamas se apagan.	<ul style="list-style-type: none"> • Vientos potentes o ráfagas de viento. • Poco gas LP. • La válvula de flujo excesivo se disparó. 	<ul style="list-style-type: none"> • Gire la parte delantera de la parrilla para ponerse frente al viento o aumente el tamaño de la flama girando la válvula de gas a una posición más alta. • Vuelva a llenar el cilindro de gas LP. • Consulte la sección “Caída súbita del flujo de gas” mencionada anteriormente.
Pequeñas explosiones (fuego en los tubos del quemador).	<ul style="list-style-type: none"> • El quemador y/o los tubos del quemador están bloqueados. 	<ul style="list-style-type: none"> • Gire las perillas a la posición de apagado (OFF). Limpie el quemador y/o los tubos del quemador. Consulte la limpieza del quemador en la <i>sección de cuidado y mantenimiento de esta guía</i>

PROBLEMAS DE ENCENDIDO	CAUSA POSIBLE	COMPROBAR EL PROCEDIMIENTO	PREVENCIÓN / SOLUCIÓN
SECCIÓN I No aparecen chispas en ninguno de los electrodos cuando se presiona el botón de encendido electrónico; no se escucha ruido del módulo de chispas.	<ul style="list-style-type: none"> • Módulo de chispas sin energía. • El conjunto del botón no está instalado correctamente. • Módulo de chispas defectuoso. 	<ul style="list-style-type: none"> • Verifique que el transformador esté enchufado y que todos los cables en el gabinete estén conectados. 	<ul style="list-style-type: none"> • Enchufe el módulo a un tomacorriente de 120 V CA. Desconecte y reconecte los cables desde el transformador al convertidor de CA/CC al módulo de chispas. • Reemplace el conjunto del módulo de chispas.
SECCIÓN II No aparecen chispas en ninguno de los electrodos cuando se presiona el botón de encendido electrónico; se escucha ruido del módulo de chispas.	<ul style="list-style-type: none"> • Las conexiones de cable de salida no están conectadas. 	<ul style="list-style-type: none"> • ¿Las conexiones de salida están colocadas y apretadas? 	<ul style="list-style-type: none"> • Retire y reconecte todas las conexiones de salida en el módulo y los electrodos.
SECCIÓN III Hay chispas pero no en todos los electrodos y/o no están a plena potencia	<ul style="list-style-type: none"> • Las conexiones de cable de salida no están conectadas. • Aplique arco eléctrico en la parrilla desde los quemadores. • Los electrodos están húmedos. • Electrodo agrietados o rotos con “chispas en la grieta”. 	<ul style="list-style-type: none"> • ¿Las conexiones de salida están colocadas y apretadas? • Si es posible, observe la parrilla en un lugar oscuro. Opere el sistema de encendido y vea el arco eléctrico entre los cables de salida y el bastidor de la parrilla. • ¿Hay humedad acumulada en el electrodo y/o en los puertos del quemador? • Inspeccione los electrodos para detectar grietas. 	<ul style="list-style-type: none"> • Retire y reconecte todas las conexiones de salida en el módulo y los electrodos. • Si se observan chispas en otro lugar que no sean los quemadores, el aislamiento del cable podría estar dañado. Reemplace los cables. • Use papel toalla para retirar la humedad. • Reemplace los electrodos agrietados o rotos.

LIMITED WARRANTY

This warranty only applies to units purchased from an authorized retailer. Manufacturer warrants to the original consumer-purchaser only that this product shall be free from defects in workmanship and materials after correct assembly and under normal and reasonable home use for the periods indicated below beginning on the date of purchase*. The manufacturer reserves the right to require that defective parts be returned, postage and or freight pre-paid by the consumer for review and examination.

SCOPE OF COVERAGE	PERIOD OF COVERAGE	TYPE OF FAILURE COVERAGE
STAINLESS BURNER	10 YEARS FROM DATE OF PURCHASE*	PERFORATION, MANUFACTURING, AND MATERIAL DEFECTS ONLY
FIREBOX, LID, COOKING GRATE	3 YEARS FROM DATE OF PURCHASE*	
ALL OTHER PARTS	1 YEAR FROM DATE OF PURCHASE*	

*Note: A dated sales receipt WILL be required for warranty service.

The original consumer-purchaser will be responsible for all shipping charges for parts replaced under the terms of this limited warranty.

This limited warranty is applicable in the United States and Canada only, is only available to the original owner of the product and is not transferable. **Manufacturer requires proof of your date of purchase. Therefore, you should retain your sales slip or invoice.** Registering your product is not a substitute for proof of purchase and the manufacturer is not responsible for or required to retain proof of purchase records. This limited warranty applies to the functionality of the product ONLY and does not cover cosmetic issues such as scratches, dents, corrosions or discoloring by heat, abrasive and chemical cleaners or any tools used in the assembly or installation of the appliance, surface rust, or the discoloration of stainless steel surfaces. Paint is not warranted and will require touch up. RUST is not considered a manufacturing or materials defect.

This limited warranty will not reimburse you for the cost of any inconvenience, food, personal injury or property damage.

ITEMS MANUFACTURER WILL NOT PAY FOR:

1. Shipping cost, standard or expedited, for warranty and replacement parts.
2. Service calls to your home.
3. Repairs when your product is used for other than normal, single-family household or residential use.
4. Damage, failures, or operating difficulties resulting from accident, alteration, careless handling, misuse, abuse, fire, flood, acts of God, improper installation or maintenance, installation not in accordance with electrical or plumbing codes, or use of products not approved by the manufacturer.
5. Any food loss due to product failures or operating difficulties.
6. Replacement parts or repair labor costs for units operated outside the United States or Canada.
7. Pickup and delivery of your product.
8. Repairs to parts or systems resulting from unauthorized modifications made to the product.
9. The removal and/or reinstallation of your product.

DISCLAIMER OF IMPLIED WARRANTIES and LIMITATION OF REMEDIES

Repair or replacement of defective parts is your exclusive remedy under the terms of this limited warranty. In the event of parts availability issues, the manufacturer reserves the right to substitute like or similar parts that are equally functional. Manufacturer will not be responsible for any consequential or incidental damages arising from the breach of either this limited warranty or any applicable implied warranty, or for failure or damage resulting from acts of God, improper care and maintenance, grease fire, accident, alteration, replacement of parts by anyone other than Manufacturer, misuse, transportation, commercial use, abuse, hostile environments (inclement weather, acts of nature, animal tampering), improper installation or installation not in accordance with local codes or printed manufacturer instructions.

THIS LIMITED WARRANTY IS THE SOLE EXPRESS WARRANTY GIVEN BY THE MANUFACTURER. NO PRODUCT PERFORMANCE SPECIFICATION OR DESCRIPTION WHEREVER APPEARING IS WARRANTED BY MANUFACTURER EXCEPT TO THE EXTENT SET FORTH IN THIS LIMITED WARRANTY. ANY IMPLIED WARRANTY PROTECTION ARISING UNDER THE LAWS OF ANY STATE, INCLUDING IMPLIED WARRANTY OF MERCHANTABILITY OR FITNESS FOR A PARTICULAR PURPOSE OR USE, IS HEREBY LIMITED IN DURATION TO THE DURATION OF THIS LIMITED WARRANTY.

Neither dealers nor the retail establishment selling this product has any authority to make any additional warranties or to promise remedies in addition to or inconsistent with those stated above. Manufacturer's maximum liability, in any event, shall not exceed the purchase price of the product paid by the original consumer. NOTE: Some states do not allow an exclusion or limitation of incidental or consequential damages, so some of the above limitations or exclusions may not apply to you. This limited warranty gives you specific legal rights as set forth herein. You may also have other rights which vary from state to state. In the state of California only, if refinishing or replacement of the product is not commercially practicable, the retailer selling this product or the Manufacturer will refund the purchase price paid for the product, less the amount directly attributable to use by the original consumer-purchaser prior to discovery of the nonconformity. In addition, in the state of California only, you may take the product to the retail establishment selling this product in order to obtain performance under this limited warranty. If you wish to obtain performance of any obligation under this limited warranty, you should write to:

Consumer Relations
P. O. Box 1240
Columbus, GA 31902-1240

Consumer returns will not be accepted unless a valid Return Authorization is first acquired. Authorized returns are clearly marked on the outside of the package with an RA number and the package is shipped freight/postage pre-paid. Consumer returns that do not meet these standards will be refused.



GARANTÍA LIMITADA

Esta garantía solo se aplica a las unidades compradas en un minorista autorizado. El fabricante únicamente garantiza al comprador-consumidor original que este producto estará libre de defectos materiales y de materiales después de corregir el montaje y bajo uso doméstico normal y razonable durante los periodos indicados a continuación a partir de la fecha de la compra*. El fabricante se reserva el derecho de solicitar que las piezas defectuosas se devuelvan, con gastos de envío y/o el flete prepagados por el consumidor para su revisión y examen.

ALCANCE DE LA COBERTURA	PERIODO DE COBERTURA	COBERTURA POR TIPO DE FALLA
QUEMADOR INOXIDABLE	10 AÑOS	SOLO DEFECTOS DE PERFORACIÓN, MANUFACTURA Y DEFECTOS MATERIALES
CAJA DE FUEGO, TAPA, COCINA DE LA COCINA	3 AÑOS	
TODAS LAS OTRAS PARTES	1 AÑOS	

*Nota: SE requerirá un recibo de venta con la fecha para el mantenimiento de garantía.

El consumidor-comprador original será responsable de todos los gastos de envío de las piezas reemplazadas bajo los términos de esta garantía limitada. Esta garantía limitada es aplicable solo en los Estados Unidos y Canadá, solo está disponible para el propietario original del producto y no es transferible. **El fabricante requerirá una prueba de la fecha de compra. Por lo tanto, debe guardar su recibo o factura de venta.** El registro de su producto no es un sustituto de la prueba de compra y el fabricante no es responsable ni está obligado a conservar los comprobantes de los registros de compra. Esta garantía limitada se aplica SOLAMENTE a la funcionalidad del producto y no cubre problemas cosméticos como rasguños, abolladuras, corrosión o decoloración por calor, productos químicos de limpieza abrasivos o cualquier herramienta utilizada en el montaje o instalación del aparato, óxido de superficie o la decoloración de las superficies de acero inoxidable. La pintura no está cubierta por la garantía y requerirá de retoques. El ÓXIDO no es considerado un defecto de fabricación o de materiales.

Esta garantía limitada no le reembolsará el costo por cualquier inconveniente, alimento, lesión personal o daño a la propiedad.

ELEMENTOS QUE EL FABRICANTE NO PAGARÁ:

1. Costo de envío, estándar o inmediato, para piezas bajo garantía o de repuesto.
2. Llamadas de mantenimiento a su hogar.
3. Reparaciones cuando su producto sea usado para usos distintos de los usos domésticos o residenciales normales.
4. Daños, fallas o dificultades operativas resultantes de un accidente, alteración, manejo descuidado, uso indebido, abuso, incendio, inundación, actos de Dios, instalación o mantenimiento inadecuado, instalación que no esté de acuerdo con los códigos eléctricos o de plomería, o uso de productos no aprobados por el fabricante.
5. Cualquier pérdida de alimentos debido a fallas del producto o dificultades operativas.
6. Costos por piezas de repuesto o mano de obra de reparación para unidades operadas fuera de los Estados Unidos o Canadá.
7. Recojo y entrega de su producto.
8. Reparaciones de piezas o sistemas como resultado de modificaciones no autorizadas realizadas al producto.
9. El retiro y/o la reinstalación de su producto.

EXENCIÓN DE RESPONSABILIDAD DE GARANTÍAS IMPLÍCITAS Y LIMITACIÓN DE RECURSOS

La reparación o el reemplazo de piezas defectuosas es su recurso exclusivo bajo los términos de esta garantía limitada. En caso de problemas de disponibilidad de piezas, el fabricante se reserva el derecho de sustituirlas con piezas equivalentes o similares que sean igualmente funcionales. El fabricante no será responsable de ningún daño consecuente o incidental derivado del incumplimiento de esta garantía limitada o de cualquier garantía implícita aplicable, o por falla o daño resultante de actos de Dios, cuidado y mantenimiento incorrectos, incendio producido por grasa, accidente, alteración, reemplazo de piezas por cualquier persona que no sea el fabricante, mal uso, transporte, uso comercial, abuso, ambientes hostiles (clima inclemente, actos de la naturaleza, manipulación de animales), instalación incorrecta o instalación que no esté de acuerdo con los códigos locales o las instrucciones impresas del fabricante.

ESTA GARANTÍA LIMITADA ES LA ÚNICA GARANTÍA EXPRESA PROPORCIONADA POR EL FABRICANTE. NINGÚN DESEMPEÑO ESPECIFICACIÓN O DESCRIPCIÓN DEL PRODUCTO DONDE APAREZCA ES GARANTIZADO POR EL FABRICANTE, EXCEPTO EN LA MEDIDA ESTABLECIDA EN ESTA GARANTÍA LIMITADA. CUALQUIER PROTECCIÓN DE GARANTÍA IMPLÍCITA DERIVADA DE LAS LEYES DE CUALQUIER ESTADO, INCLUYENDO LA GARANTÍA IMPLÍCITA DE COMERCIABILIDAD O IDONEIDAD PARA UN PROPÓSITO O USO PARTICULAR, SE LIMITA POR LA PRESENTE A LA DURACIÓN DE ESTA GARANTÍA LIMITADA.

Ni los distribuidores ni el establecimiento minorista que venden este producto tienen autoridad alguna para otorgar garantías adicionales o para prometer soluciones adicionales o inconsistentes con las indicadas anteriormente. La responsabilidad máxima del fabricante, en cualquier caso, no excederá el precio de compra del producto pagado por el consumidor original. **NOTA:** Algunos estados no permiten una exclusión o limitación de daños incidentales o consecuentes, por lo que algunas de las limitaciones o exclusiones anteriores pueden no aplicarse a usted. Esta garantía limitada le otorga derechos legales específicos como se establece en este documento. También podría tener otros derechos que varían de un estado a otro. Solamente en el estado de California, si el reacondicionamiento o el reemplazo del producto no es comercialmente factible, el minorista que venda este producto o el fabricante reembolsará el precio de compra pagado por el producto, menos el monto directamente atribuible al uso por parte del consumidor comprador original antes del descubrimiento de la no conformidad. Además, solo en el estado de California, puede llevar el producto al establecimiento minorista que vende este producto para obtener el cumplimiento de esta garantía limitada. Si desea obtener el cumplimiento de cualquier obligación bajo esta garantía limitada, debe escribir a:

Relaciones del consumidor

P. O. Box 1240

Columbus, GA 31902-1240

Las devoluciones de los consumidores no serán aceptadas a menos que se obtenga primero una autorización de devolución válida. Las devoluciones autorizadas están claramente marcadas en el exterior del paquete con un número de RA y el paquete se envía con flete/franqueo prepagado. Las devoluciones del consumidor que no cumplan con estos estándares serán rechazadas.

PRODUCT REGISTRATION

Two convenient ways to register your product:

Deux manières pratiques d'enregistrer votre produit:

Dos maneras convenientes de registrar su producto:

1 Online

En ligne

En línea

@ WWW.CHARBROIL.COM/REGISTER

2 By Mail | Par la poste | Por correo

Please fill out this card and attached a copy of your sales receipt. Return it within 10 days of purchase for warranty service. Proof of purchase will be required. The warranty is not transferable.

Veillez remplir cette carte et joindre une copie de votre reçu de vente. Renvoyez-le dans les 10 jours de l'achat pour le service de garantie. Une preuve d'achat sera nécessaire. La garantie n'est pas transférable.

Por favor llene esta tarjeta y adjunte una copia de su recibo de compra. Devuelva en el plazo de 10 días de la compra para el servicio de la garantía. Se requerirá prueba de compra. La garantía no es transferible.

*Required / Obligatoire / Necesario

**Please Print / Veuillez imprimer / Por favor imprima

*1. First Name Prénom Nombre	Initial Initiale Inicial	Last Name Nom de famille Apellido
Address Adresse Dirección		Apt. No No d'appt No de appart
City Ville Ciudad	State Etat Estado	Zip Code Code post Código post
*2. E-mail Address Adresse e-mail Dirección de correo electrónico		
*3. Phone Number Numéro de téléphone Número de Teléfono		
*4. Model Number Numéro de modèle Número de modelo		
Serial Number Numéro de série Número de serie		
6. Date of Purchase Date d'achat Fecha de compra		
7. Store Name Nom du magasin Nombre de la tienda		
8. Purchase Price Prix d'achat Precio de compra		

*5. Attach copy of your sales receipt here.
Joignez une copie de votre reçu de vente ici.
Adjunte una copia de su recibo de venta aquí.

9 Your Gender | Sexe | Sexe: Male | Masculin | Masculino Female | Femelle | Femenino

We respect your privacy | Nous respectons votre vie privée | Respetamos su privacidad

If you prefer not to receive special offers and promotions from Char-Broil, please check here:

Si vous préférez recevoir des offres et promotions spéciales de Char-Broil, veuillez vérifier ici:

Si estás buscando un lugar para alojarse en Char-Broil, compruebe aquí.

Mail to: / Envoyer à: / Correo a:

Char-Broil Warranty Registration

P.O. Box 1240

Columbus, Ga 31902-1240

Thank you for completing this questionnaire | Merci d'avoir rempli ce questionnaire. | Gracias por completar este cuestionario





©2017 Char-Broil, LLC. Columbus, GA, 31904. Imprimé en China. Impreso en China.

©2017 Assembly instructions. ©2017 Instrucciones de ensamblado.

The product associated with this guide was manufactured in China. Tel producto asociado con esta guía ha sido fabricado en China.